


PRODUCT SHEET

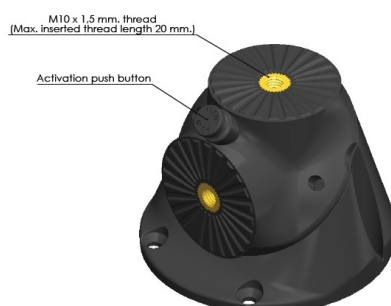
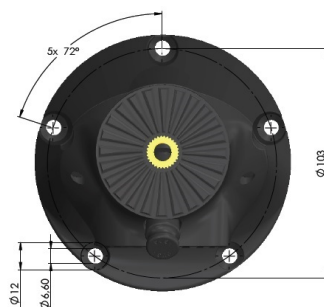
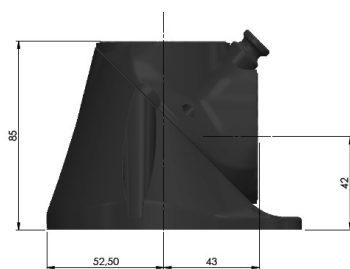
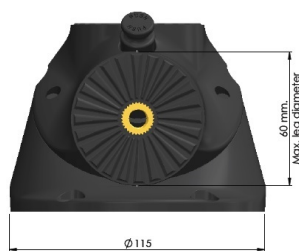
Description:

Multifunctional Leg Bracket "Curly", Black PC/ABS, $\varnothing 115 \times 85 \text{ mm}$, Max Leg Size: $\varnothing 60 \text{ mm}$, F/M10 Bolt

Item number:

06.11.050-0

| Units | Box | Carton | HS Code | Barcode |
|-------|-----|--------|------------|---|
| Pcs. | 1 | 60 | 3903300000 |  5704866484602 |



SISO A/S

Mileparken 11
DK-2740 Skovlunde
Denmark
VAT: DK 24786013

Phone +45 45 830 900

www.siso.dk
siso@siso.dk

Danske Bank
Nytorv Branch
Copenhagen
SWIFT: DABADKKK

Account no.
4180 3112 112936
IBAN Account
DK7230003112112936