



833.89.333  
833.89.335

833.89.334  
833.89.032

		V			T <sub>A</sub>
833.89.333		12 V 24 V	0 - 3000mm 0 - 118.11in	45x12mm / 1.77x0.47in	-20°C - + 45°C -4°F - +113°F
833.89.335					
833.89.334	 				
833.89.032					

732.28.475



**A<sub>1</sub>**

833.89.334

**A<sub>2</sub>**

833.89.333  
833.89.335

**A<sub>3</sub>**

833.89.032

**B**

+

833.89.331

833.89.332

833.89.330

2x

**C**

**D**

+

**F**

x	
500	833.89.140
1000	833.89.141
2000	833.89.142

[MS205]

i

100 - 240 V~

HDE 17.10.2024

**1**

<p>833.89.334</p> <p>833.89.333</p> <p>833.89.335</p> <p>30/60/180 sec</p>	<p>833.89.032</p> <p>Memory OFF → Memory ON</p>
--	---

**2a**

12 mm / 0.47 in

mm / in

**1**

F

A<sub>1</sub> / A<sub>2</sub> / A<sub>3</sub>

45 / 1.77

Ø 12 / 0.47

**2**

Ø 12 / 0.47

**3**

**4**

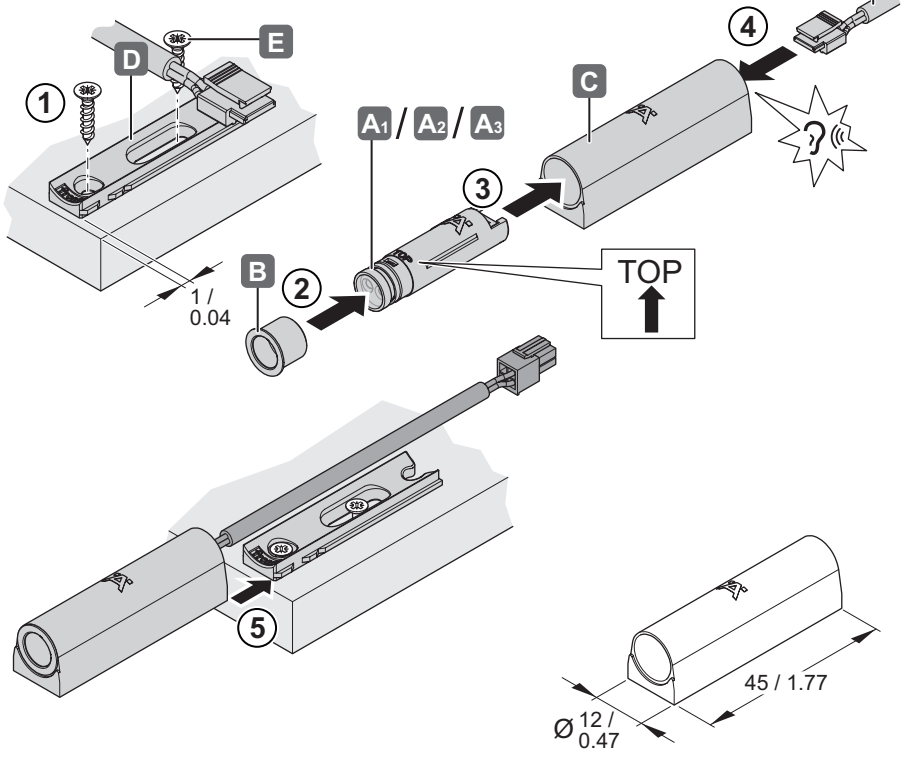
B

732.28.475

[WS205]

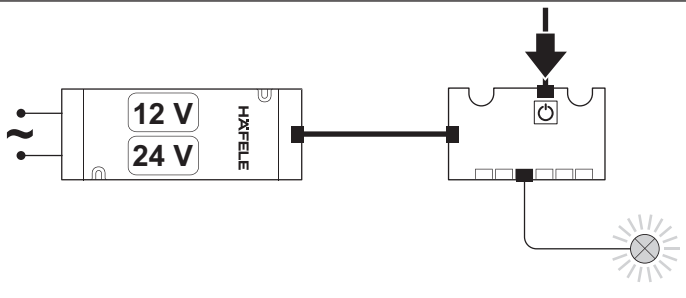
HDE 17.10.2024

2b



732.28.475

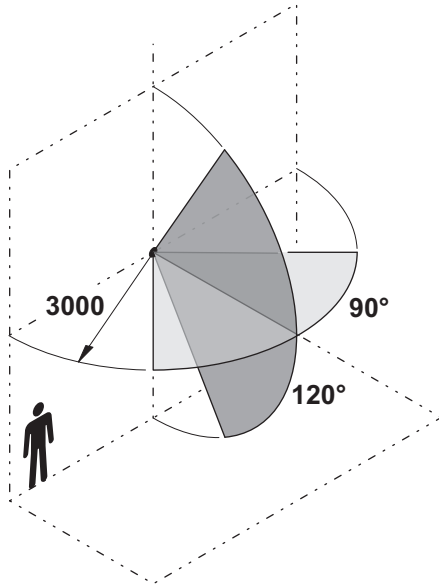
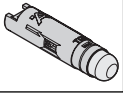
3



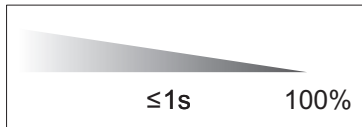
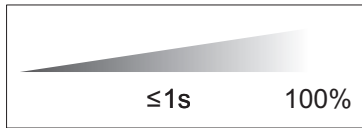
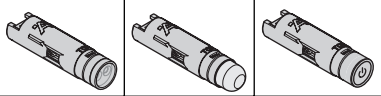
[WS205]

HDE 17.10.2024

i



732.28.475



[WS205]

HDE 17.10.2024