



## Dimmer Interface 1-10 V, modular

833.89.144

	$V_{IN} =$	$T_A$	mm	mm	=
833.89.144	1 – 10 V	-20 °C – +35 °C -4 °F – +95 °F	68.9 x 34.7 x 13.5	$\geq$ 78.9 x 44.7 x 23.5	Loox <b>12V</b>
					Loox <b>24V</b>

732.28.249

**A**

**C**

**D** 2x

**+**

**B**

X

X	
500	833.89.140
1000	833.89.141
2000	833.89.142

**B**

X

X	
500	833.89.054
1000	833.89.055
2000	833.89.056

HDE 22.02.2022

**1**

**1**

**C**

**2**

**A**

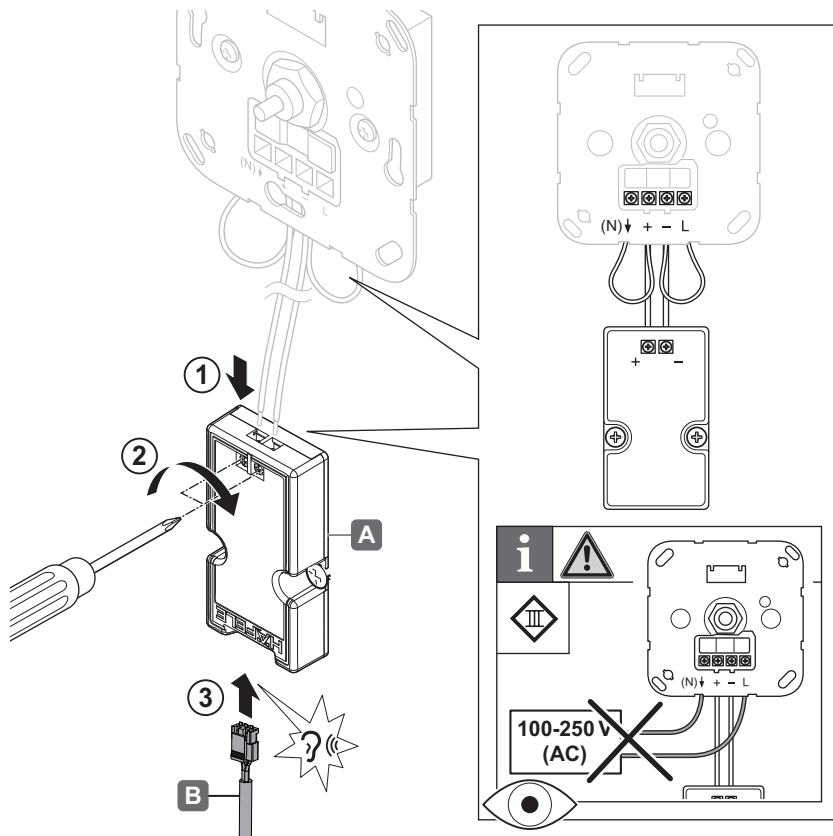
**3**

**4**

**D**

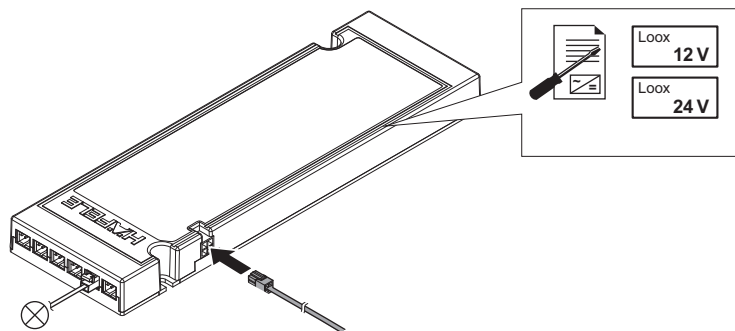
**A**

2



732.26.249

3



HDE 22.02.2022