

# CABINET HINGE "EASY" ONE HINGE - 5 SOLUTIONS



**FOR WOOD & GLASS  
8-10 OR 14-16 MM DOORS**

*- high quality furniture fittings*



# CABINET HINGE "EASY"

**Application:**  
 Zamak cabinet hinge w/stainless steel axle.  
 180 degree opening. For inset doors.  
 With adjustable catch function & visible axle.  
 Easy installation. No milling/cutting required.

**Material:** Zamak – Chrome plated or black matt

**Size:** 50 x 56,5 mm

**Door thickness:** 8-10 or 14-16 mm

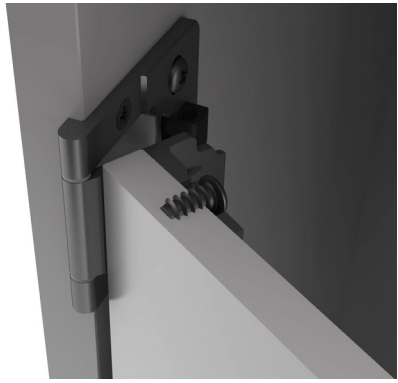
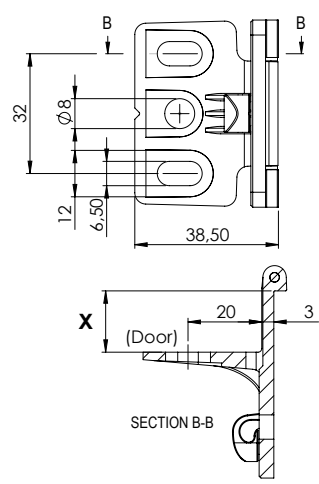
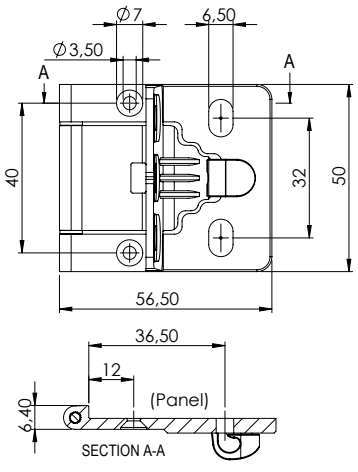
**Item No.:**

8–10 mm – Chrome plated	# 15.04.105
8–10 mm – Black matt	# 15.04.106
14–16 mm – Chrome plated	# 15.04.110
14–16 mm – Black matt	# 15.04.111

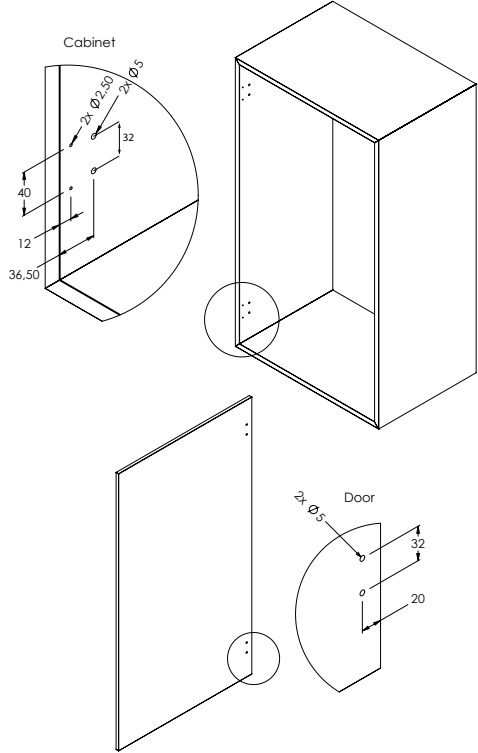
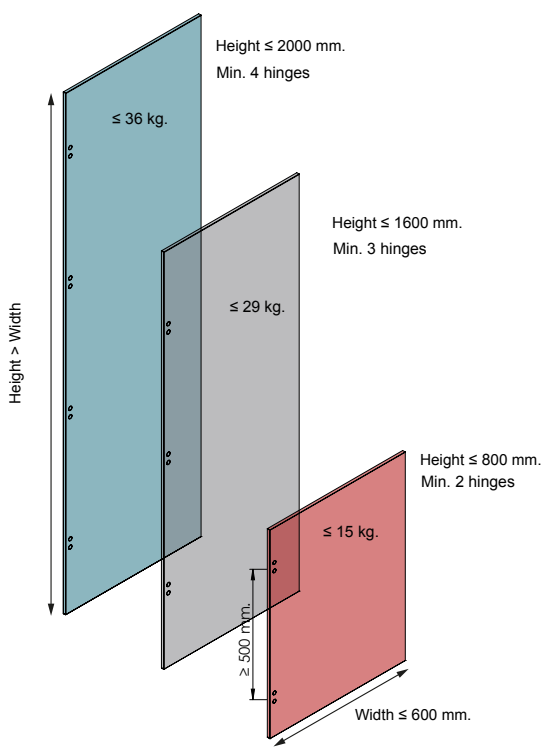
Incl. 4 Euro Screws  $\varnothing 6,3 \times 10\text{mm}$  + 2 CSK Steel Screws  $3,5 \times 10\text{mm}$  & 2 Black or White PA6 Gaskets - 1mm



Catch adjustment



Item:	"X" Door thickness:
15.04.105/15.04.106	8 - 10 mm.
15.04.110/15.04.111	14 - 16 mm.



# FRONT COVER "EASY" F/GLASS OR WOOD

- high quality furniture fittings



## Application:

Front cover f/glass or wooden doors.  
Drilling required

**Material:** Zamak – Chrome plated or black matt

**Size:** 55 x 30 mm

**Drilling:** Ø10 mm (wood) & Ø14mm (glass)

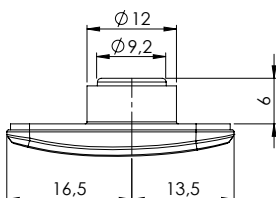
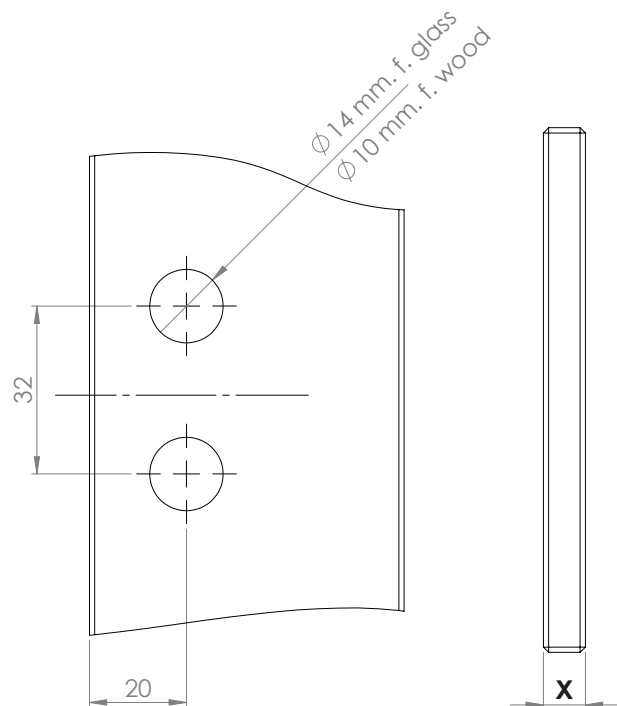
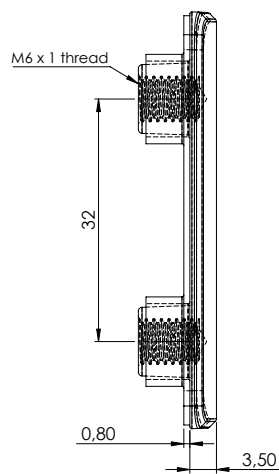
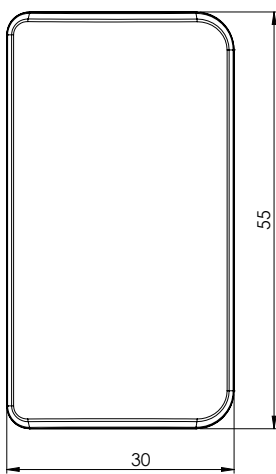
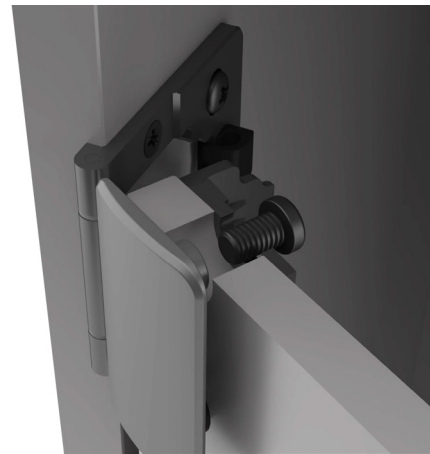
**Door thickness:** 8-10 or 14-16 mm

## Item No.:

Chrome plated # 15.04.125

Black matt # 15.04.126

Incl. SS 2 PZ Screws M6 x 10mm + 2 PZ Screws  
M6 x 10 x 16mm & 1 White or Black PA6  
Gasket - 0,8mm



Door thickness	X:
15.04.105/15.04.106	8 - 10 mm.
15.04.110/15.04.111	14 - 16 mm.

# FIXING CAP "EASY" F/GLASS OR WOOD

**Application:**

Fixing cap f/glass or wooden doors.  
Drilling required

**Material:** Stainless steel SS-304 – Brushed or black matt

**Size:** Ø20 x 9 mm, M6 thread

**Drilling:** Ø10 mm (wood) & Ø14mm (glass)

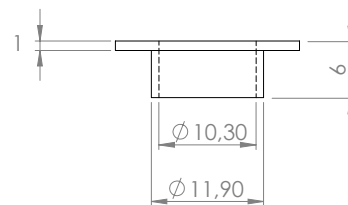
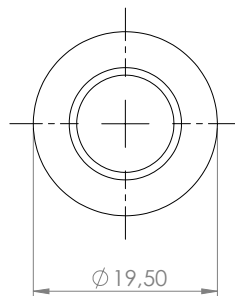
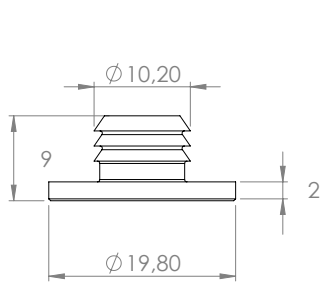
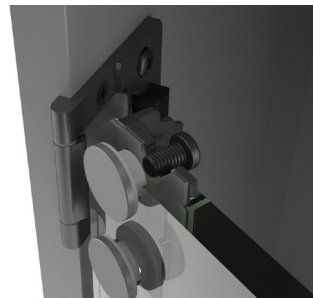
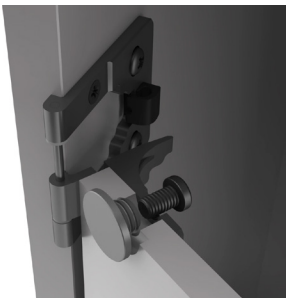
**Door thickness:** 8-10 or 14-16 mm

**Item No.:**

Brushed # 15.04.120

Black matt # 15.04.121

Incl. Plastic Washer, White or black POM. Fixing screws to be bought separately.



## ACCESSORIES

Fixing Screw Set, SS-304 Black, 2 x M6 x 10mm & 2 x M6 x 16mm

**Item No.:** # 15.04.122

Gasket Set, 3 pcs, Black PA - To be used according to design

**Item No.:** # 15.04.123

