


PRODUCT SHEET

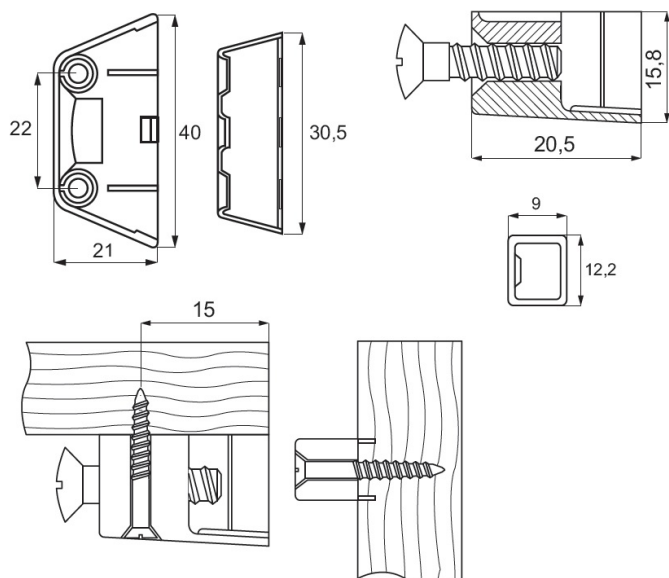
Description:

Corner Block Model "Strong", Zamak, Screw-On Type, NPL

Item number:

11.05.036-0

Units	Box	Carton	HS Code	Barcode
Pcs.	100	500	8302420090	 5704866442268



SISO A/S

Mileparken 11
DK-2740 Skovlunde
Denmark
VAT: DK 24786013

Phone +45 45 830 900

www.siso.dk
siso@siso.dk

Danske Bank
Nytorv Branch
Copenhagen
SWIFT: DABADKKK

Account no.
4180 3112 112936
IBAN Account
DK7230003112112936