

981.02.081	981.51.013
981.02.083	981.51.021
981.51.004	981.51.023
981.51.003	981.51.031
981.51.014	981.51.033

<p>981.02.081 981.02.083</p> <p>A1</p> <p>B X2</p> <p>C X4</p> <p>D X4</p> <p>E</p>	<p>981.51.004 981.51.003</p> <p>A2</p> <p>B X2</p> <p>C X4</p> <p>D X4</p> <p>E</p>
--	--

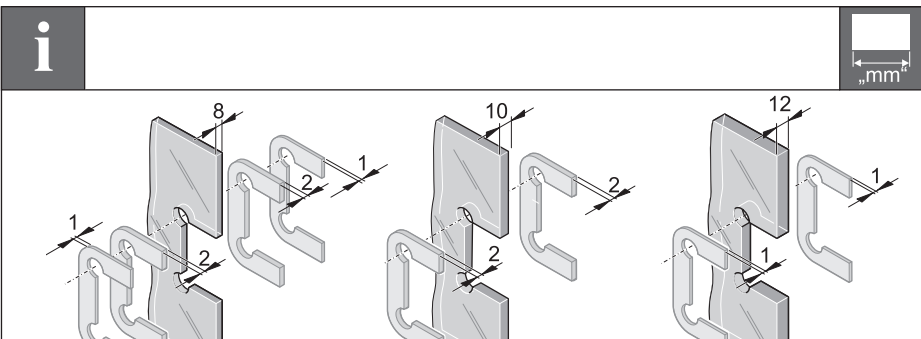
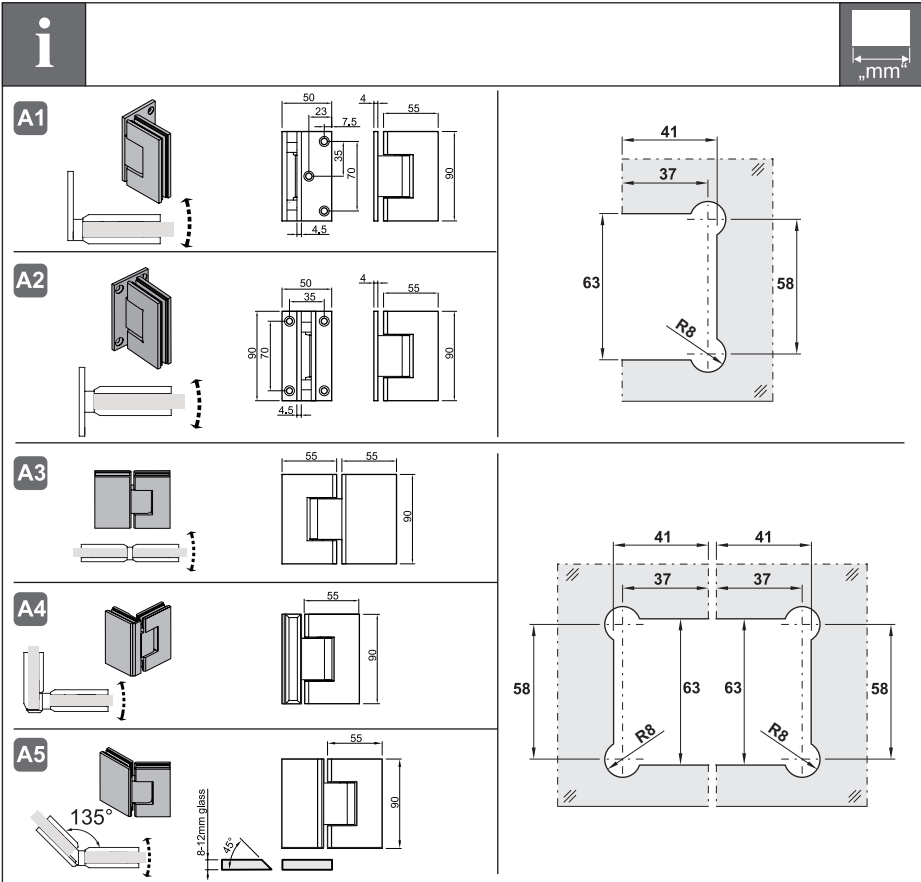
<p>981.51.031 981.51.033</p> <p>A3</p> <p>B X4</p> <p>E</p>	<p>981.51.014 981.51.013</p> <p>A4</p> <p>B X4</p> <p>E</p>	<p>981.51.021 981.51.023</p> <p>A5</p> <p>B X4</p> <p>E</p>
--	--	--

732.29.745

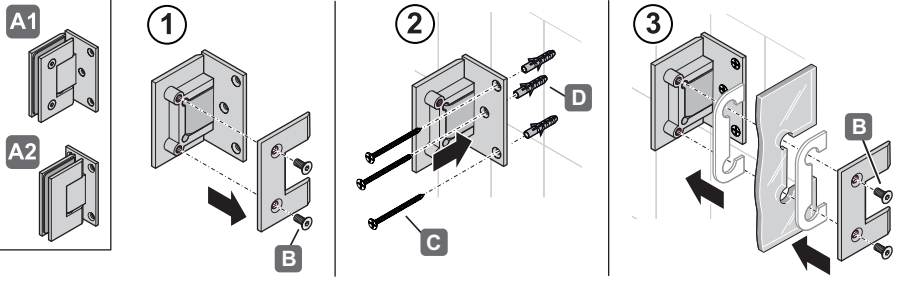
<p>i</p> <p>A1</p> <p>A2</p> <p>A3</p> <p>A4</p> <p>A5</p>	<p>≥ 250</p> <p>≥ 250</p> <p>8-12</p> <p>≤ 45 Kg</p> <p>≤ 800</p> <p>„mm“</p>
--	---

[WS143]

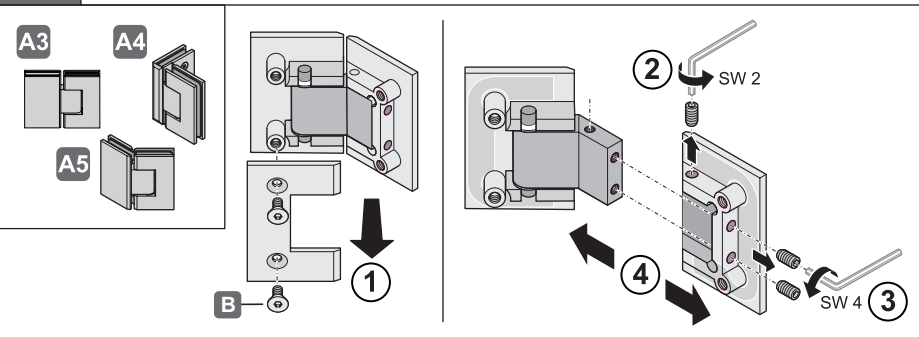
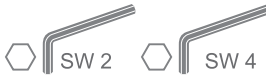
HDE 03.05.2024



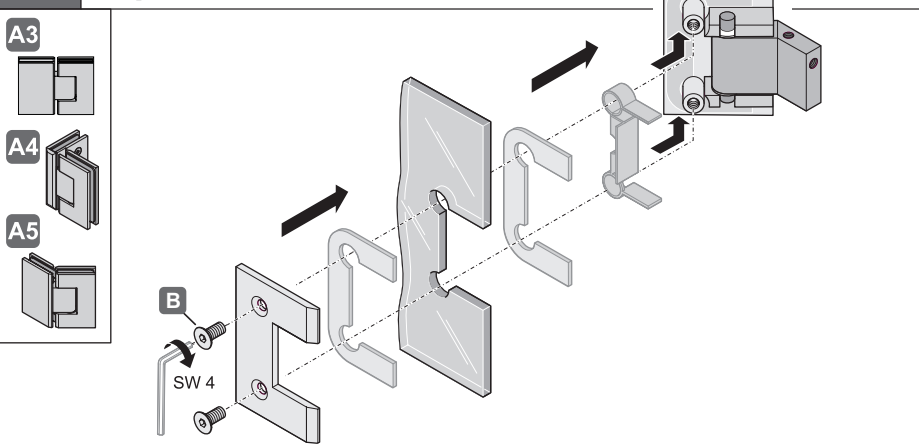
1A



1B



2B



732.29.745

[WS143]

HDE 03.05.2024

3B



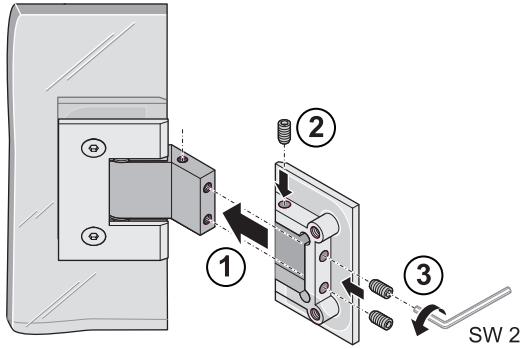
A3



A4



A5



4B



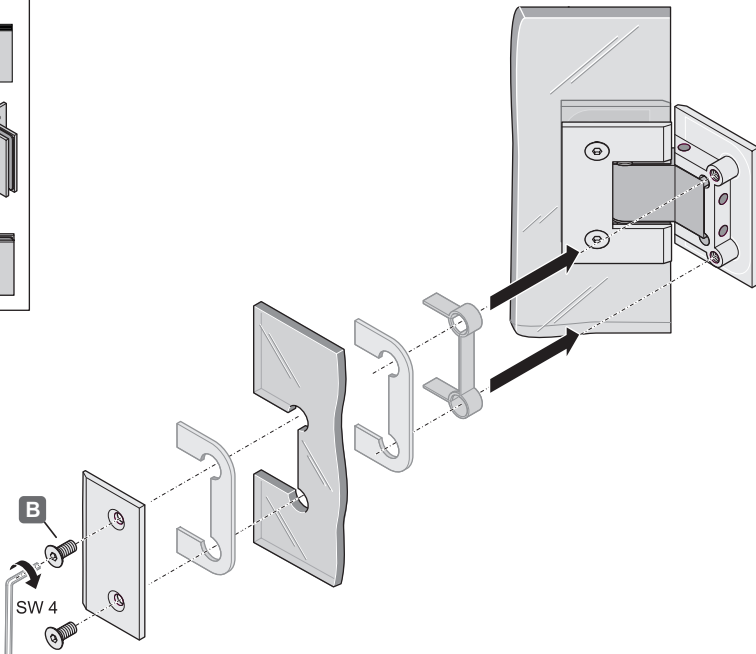
A3



A4



A5



732.29.745

[WS143]

HDE 03.05.2024