


# PRODUCT SHEET

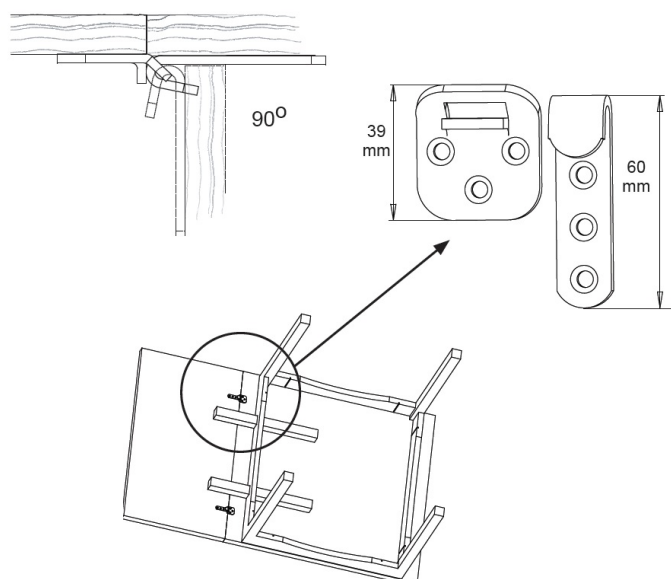
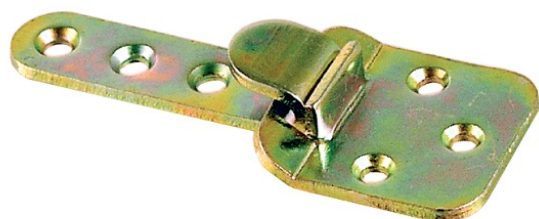
## Description:

Lift Off Hinge W/Stop, F/Table Leaves, Steel, YZP, (1 Set = 1 Female + 1 Male)

## Item number:

24.09.040-2

Units	Box	Carton	HS Code	Barcode
Set	1	200	8302100090	 5704866449519



## SISO A/S

Mileparken 11  
DK-2740 Skovlunde  
Denmark  
VAT: DK 24786013

Phone +45 45 830 900

[www.siso.dk](http://www.siso.dk)  
[siso@siso.dk](mailto:siso@siso.dk)

Danske Bank  
Nytorv Branch  
Copenhagen  
SWIFT: DABADKKK

Account no.  
4180 3112 112936  
IBAN Account  
DK7230003112112936