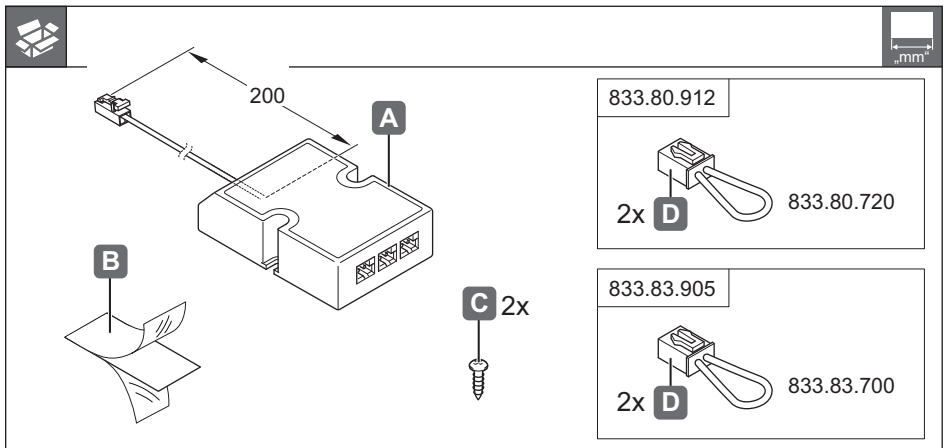




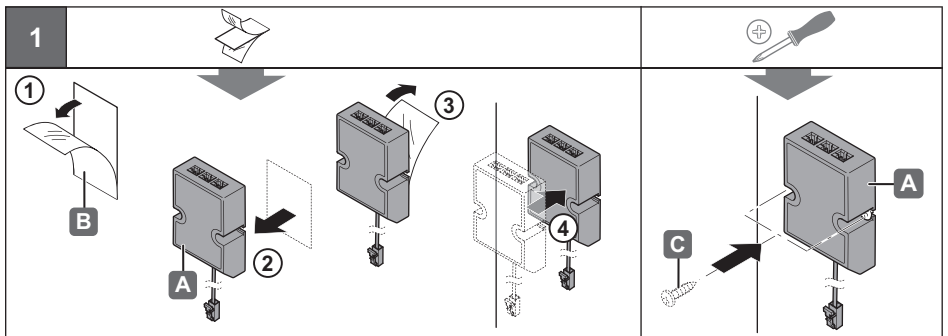
833.74.947 833.80.912
833.77.934 833.83.905

		$V_{IN} =$	$V_{OUT} =$	$W_{IN,max}$	$W_{OUT,max}$		
833.74.947	12 V System → 24 V System	24 V	12 V	15.0 W	10.0 W	60.5 x 34.2 x 14.6	Loox 24 V
833.77.934	24 V System → 12 V System	12 V	24 V				Loox 12 V
833.80.912	350 mA System → 12 V System	12 V	≤ 38 V	9.0 W	Loox 12 V		
833.83.905	700 mA System → 24 V System	24 V	≤ 25 V	24.0 W	15.0 W		Loox 24 V

732.28.402

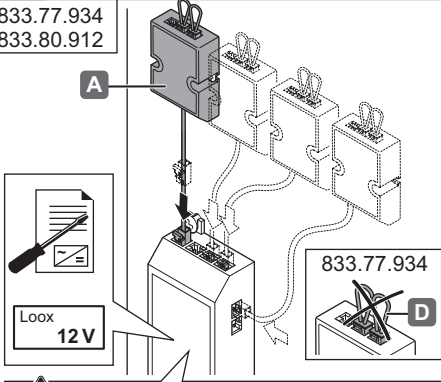


HDE 01.04.2022



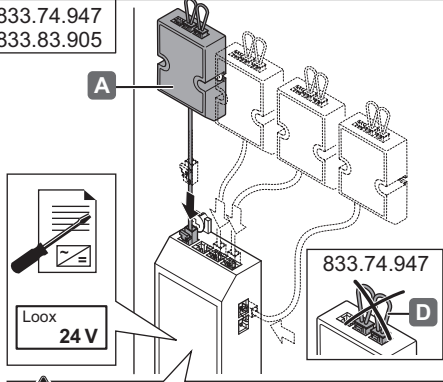
2

833.77.934
833.80.912



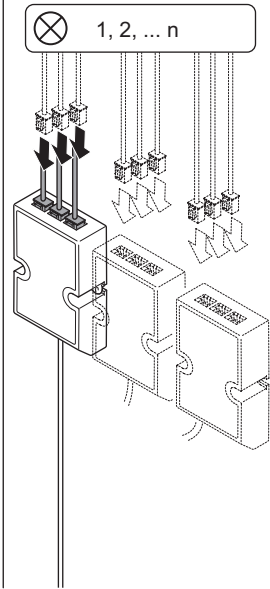
Loos
12 V
⚠ ≥ 15 W

833.74.947
833.83.905



Loos
24 V
⚠ ≥ 15 W (833.83.905: ≥ 24 W)

3



<p>350 mA System</p>	
<p>⚠</p> <p>⊗₁ = ... W ⊗₂ = ... W ⊗_n = ... W ... W</p>	<p>➔ ⊗₁ + ⊗₂ + ... ≤ 9 W</p>

<p>700 mA System</p>	
<p>⚠</p> <p>⊗₁ = ... W ⊗₂ = ... W ⊗_n = ... W ... W</p>	<p>➔ ⊗₁ + ⊗₂ + ... ≤ 15 W</p>

<p>12 V System</p> <p>24 V System</p>	
<p>⚠</p> <p>⊗₁ = ... W ⊗₂ = ... W ⊗_n = ... W ... W</p>	<p>➔ ⊗₁ + ⊗₂ + ... ≤ 10 W</p>

732.28.402

HDE 01.04.2022