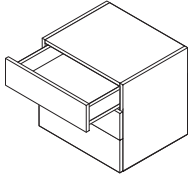




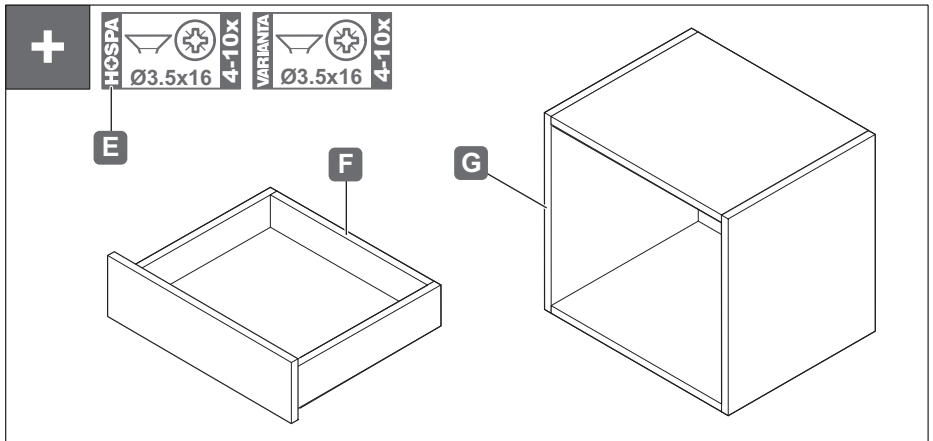
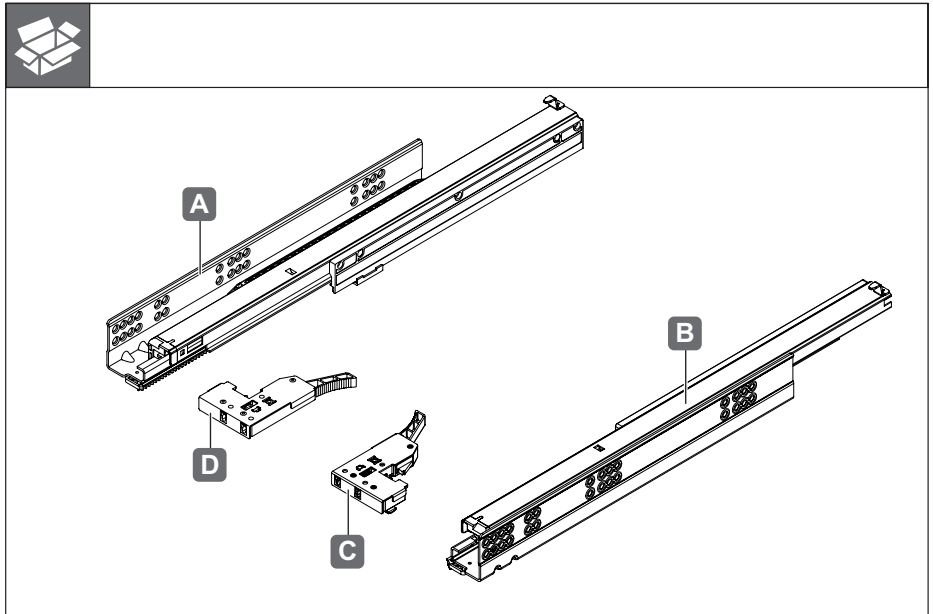
## Matrix Runner UM A30 synchron

433.03.65x  
433.03.67x

433.03.75x  
433.03.77x

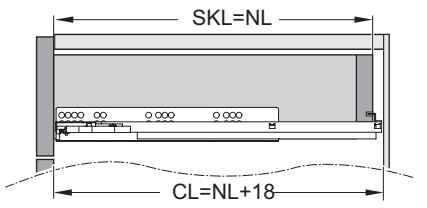
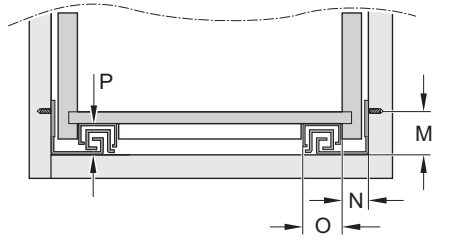
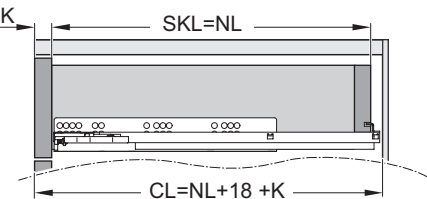
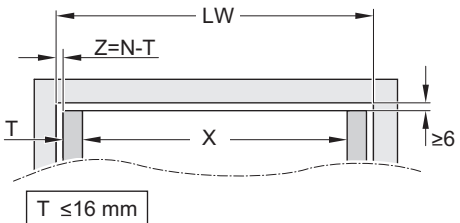



732.24.526



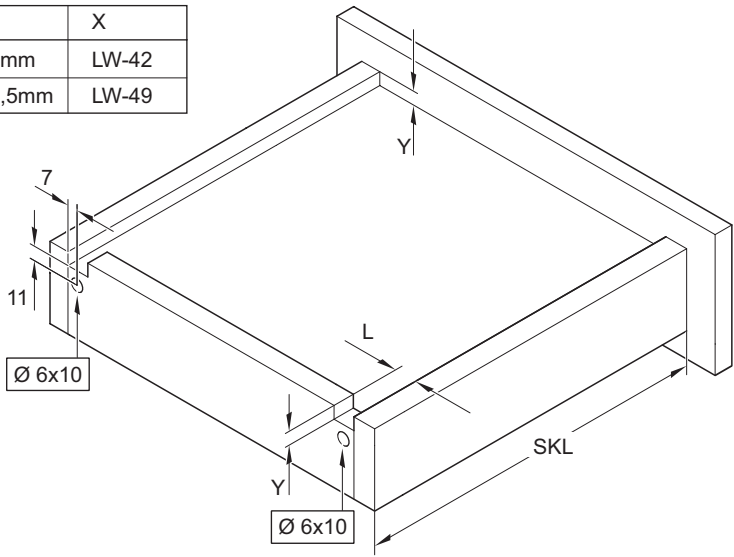
[WS148]

HDE 24.05.2024



	L=38mm	M=47,5mm	O=26,6mm	P=38mm	9mm ≤ Y ≤ 11mm
---	--------	----------	----------	--------	----------------

T	N	X
16mm	21mm	LW-42
19mm	24,5mm	LW-49



732.24.526

[WS148]

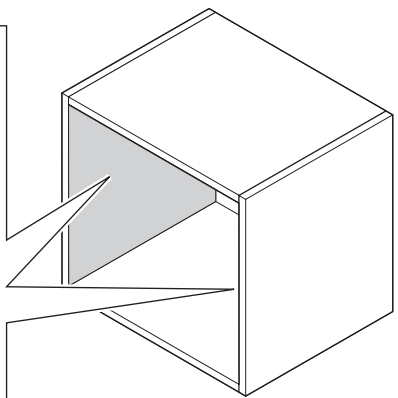
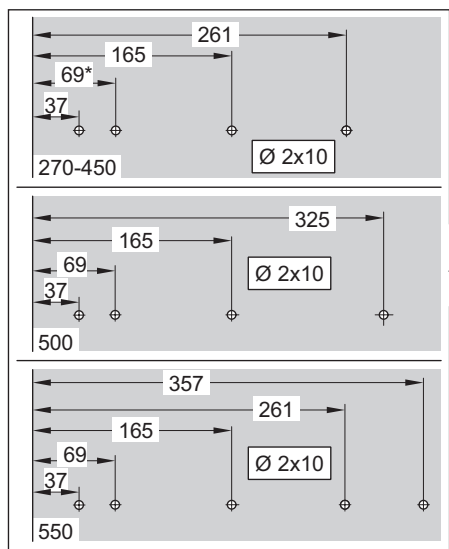
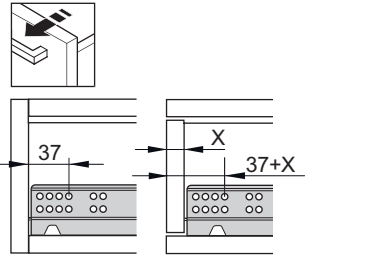
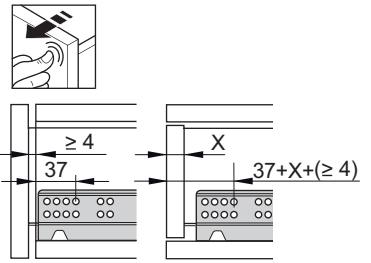
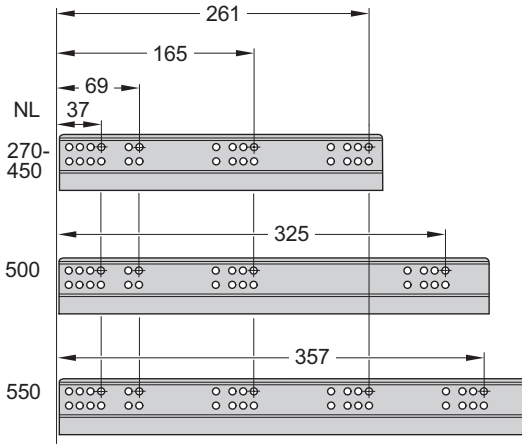
HDE 24.05.2024

i



Ø 2

„mm“



732.24.526

[WS148]

HDE 24.05.2024

1



PZ 2

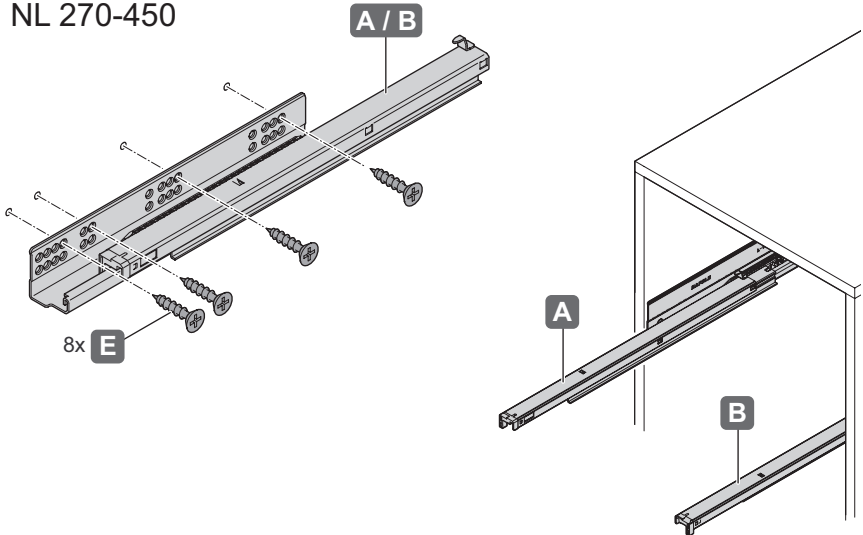
HCSPA



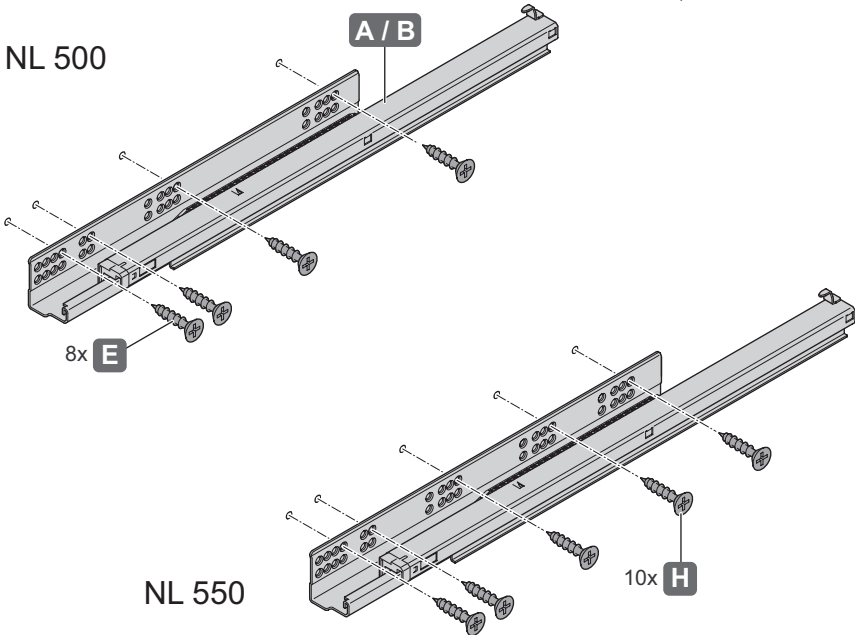
Ø3.5x16

6-10X

NL 270-450



NL 500



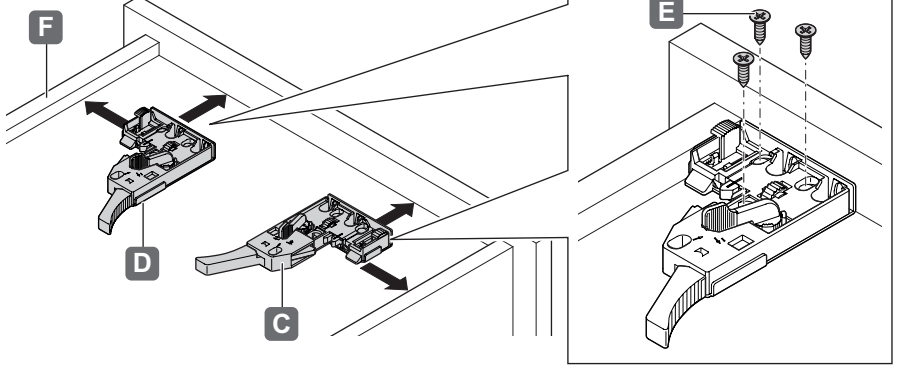
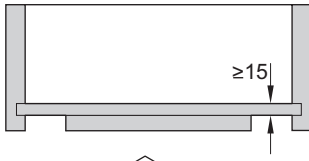
NL 550

732.24.526

[WS148]

HDE 24.05.2024

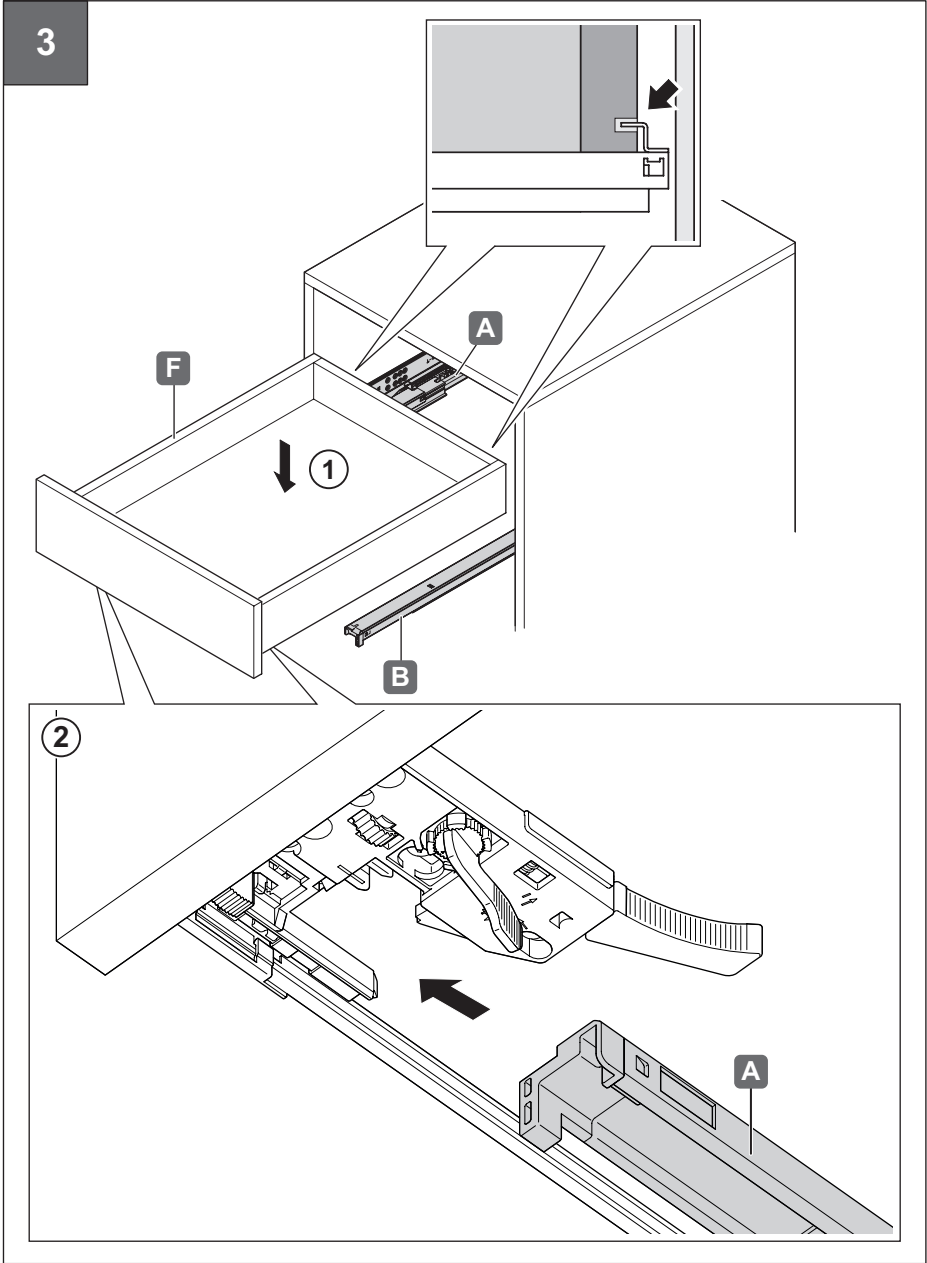
2



732.24.526

[WS148]

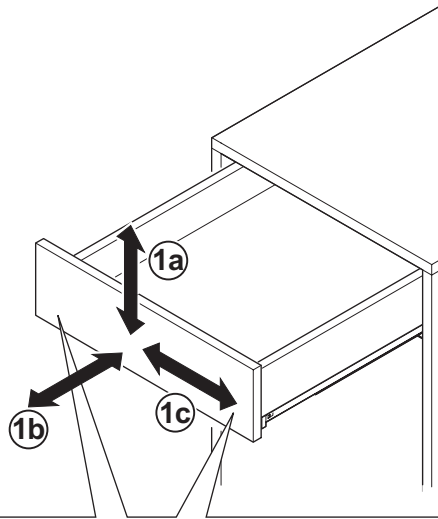
HDE 24.05.2024



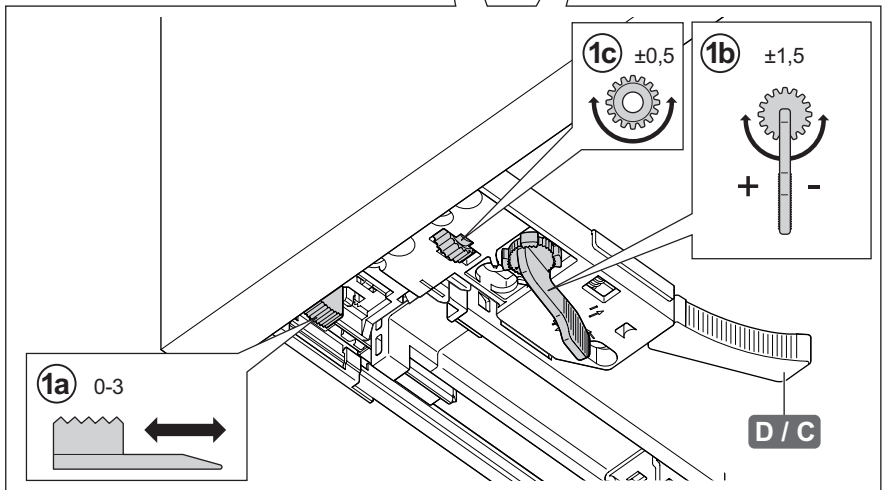
732.24.526

[WS148]

HDE 24.05.2024

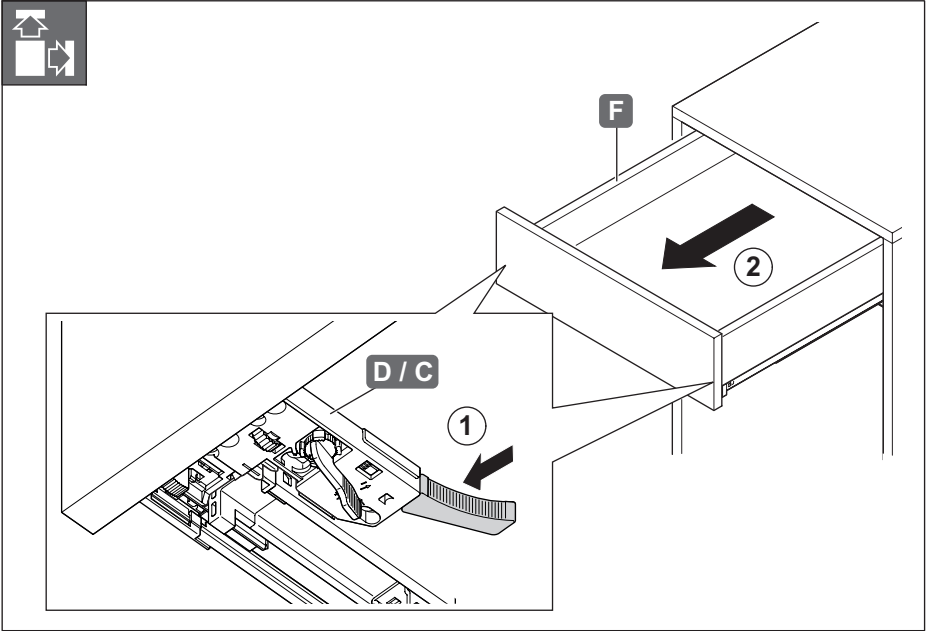


732.24.526



[WS148]

HDE 24.05.2024



732.24.526

[WS148]

HDE 24.05.2024