


PRODUCT SHEET

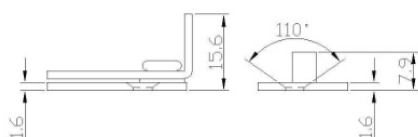
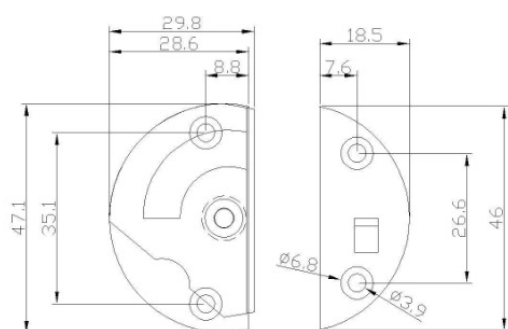
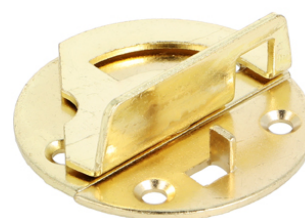
Description:

Table Spanner, 2003, $\varnothing 47\text{mm}$, Steel, Brass Polished

Item number:

24.03.025-1

Units	Box	Carton	HS Code	Barcode
Set	250	500	8302420090	 5704866455527



SISO A/S

Mileparken 11
DK-2740 Skovlunde
Denmark
VAT: DK 24786013

Phone +45 45 830 900

www.siso.dk
siso@siso.dk

Danske Bank
Nytorv Branch
Copenhagen
SWIFT: DABADKKK

Account no.
4180 3112 112936
IBAN Account
DK7230003112112936