


# PRODUCT SHEET

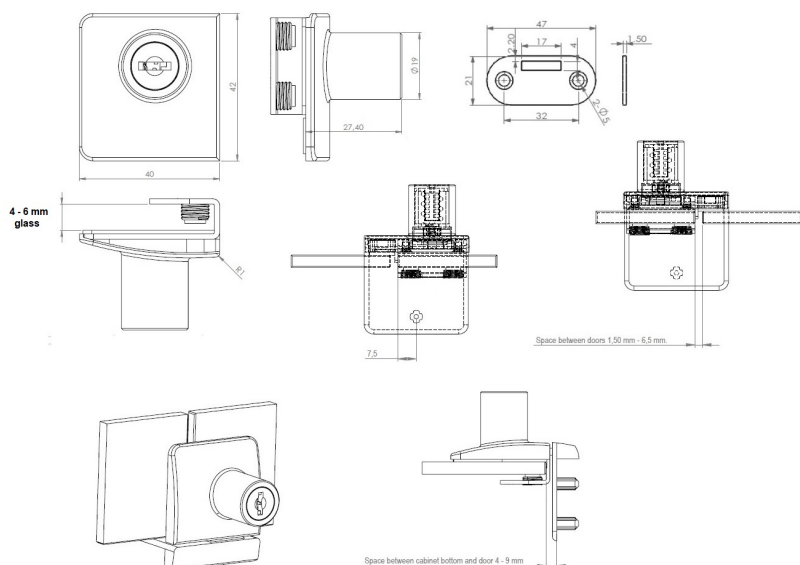
## Description:

Glass Door Lock "Square", F/Double Doors, Chrome PI, W/SISO Metal Keys, W/2 Zamak Screws  
W/PVC Tip, 1 CPL Flat, Oval Metal Striking Plate, F/Glass Thickness 4-6mm

## Item number:

14.09.555-0

Units	Box	Carton	HS Code	Barcode
Pcs.	10	100	8301300000	
				5704866049320



SISO A/S  
Mileparken 11  
DK-2740 Skovlunde  
Denmark  
VAT: DK 24786013

Phone +45 45 830 900  
[www.siso.dk](http://www.siso.dk)  
[siso@siso.dk](mailto:siso@siso.dk)

Danske Bank  
Nytorv Branch  
Copenhagen  
SWIFT: DABADKKK

Account no.  
4180 3112 112936  
IBAN Account  
DK7230003112112936