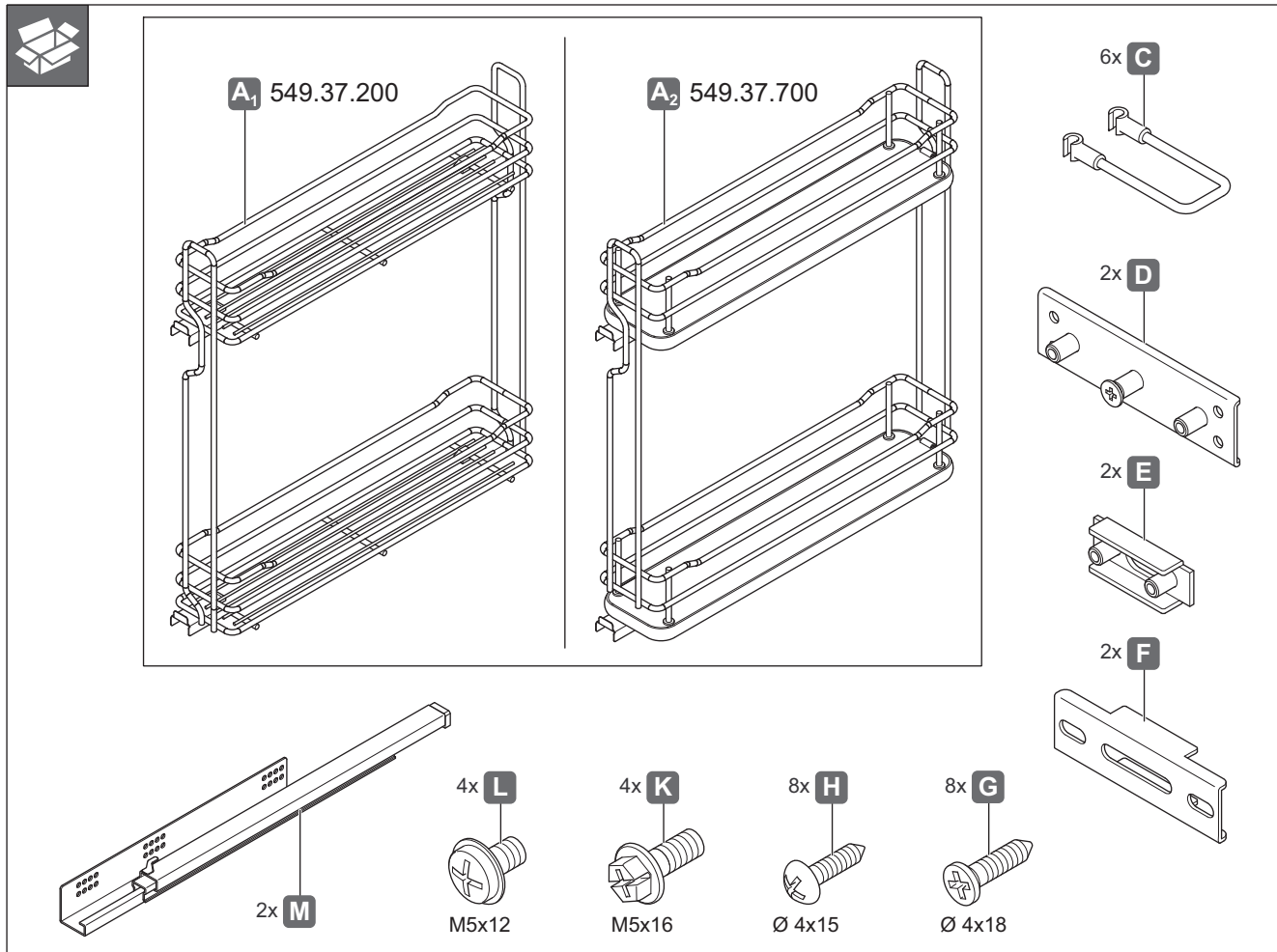
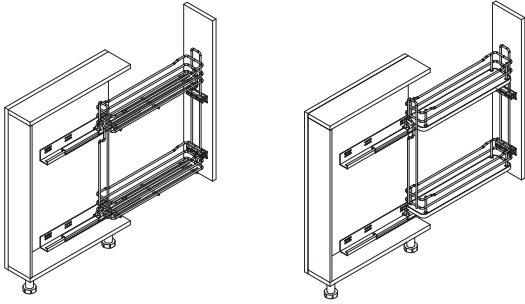
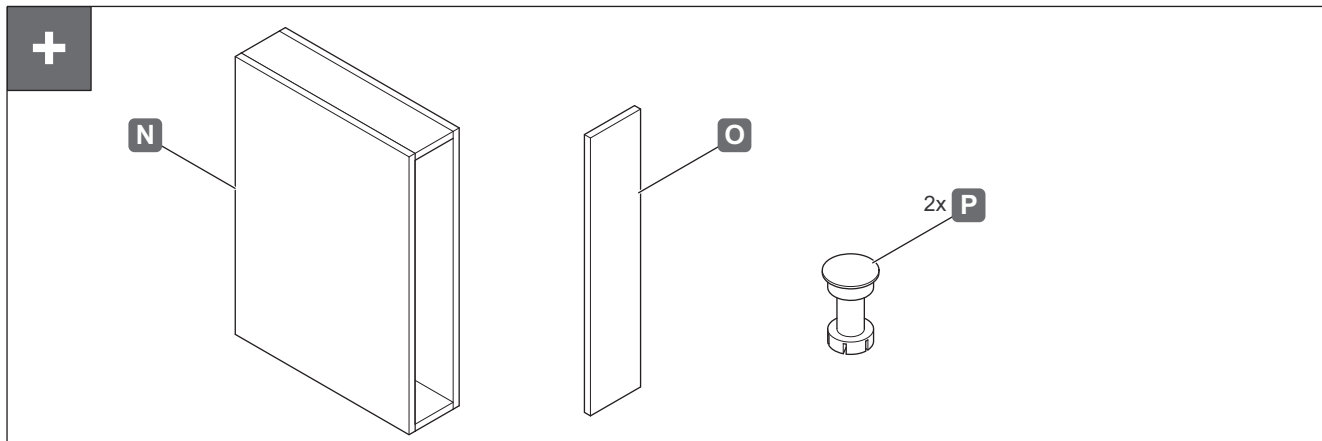




549.37.200
549.37.300
549.37.700



732.25.120

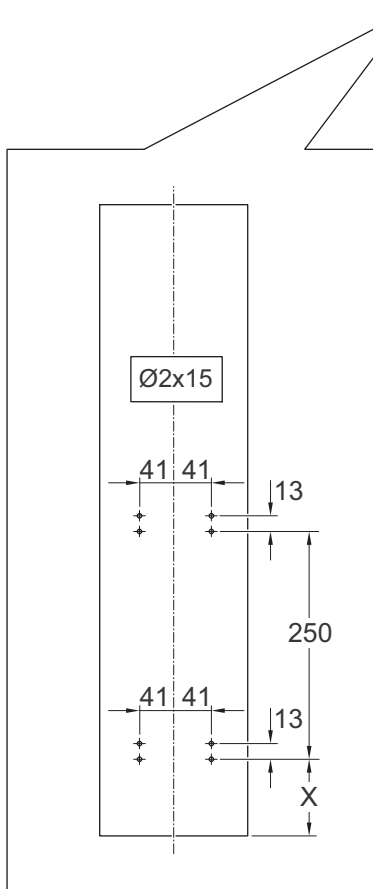
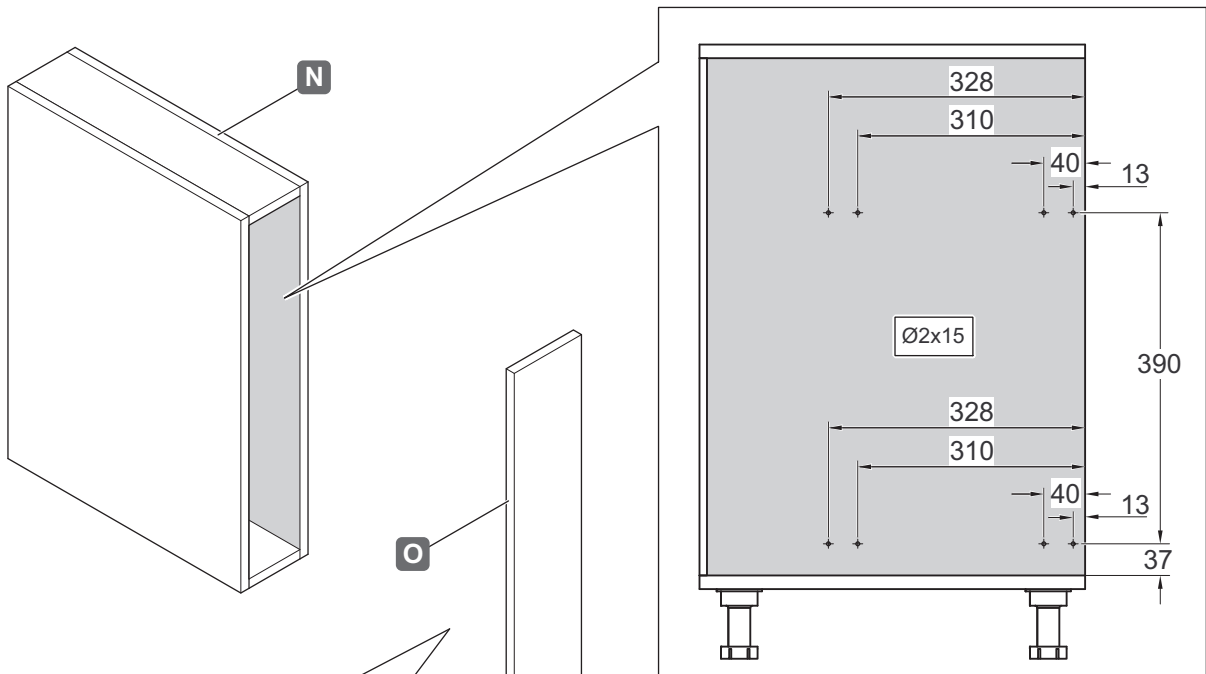


HDE 04.11.2020

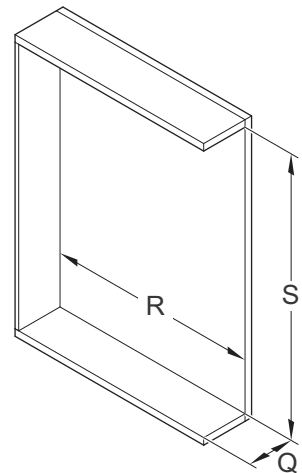
i

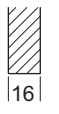



mm



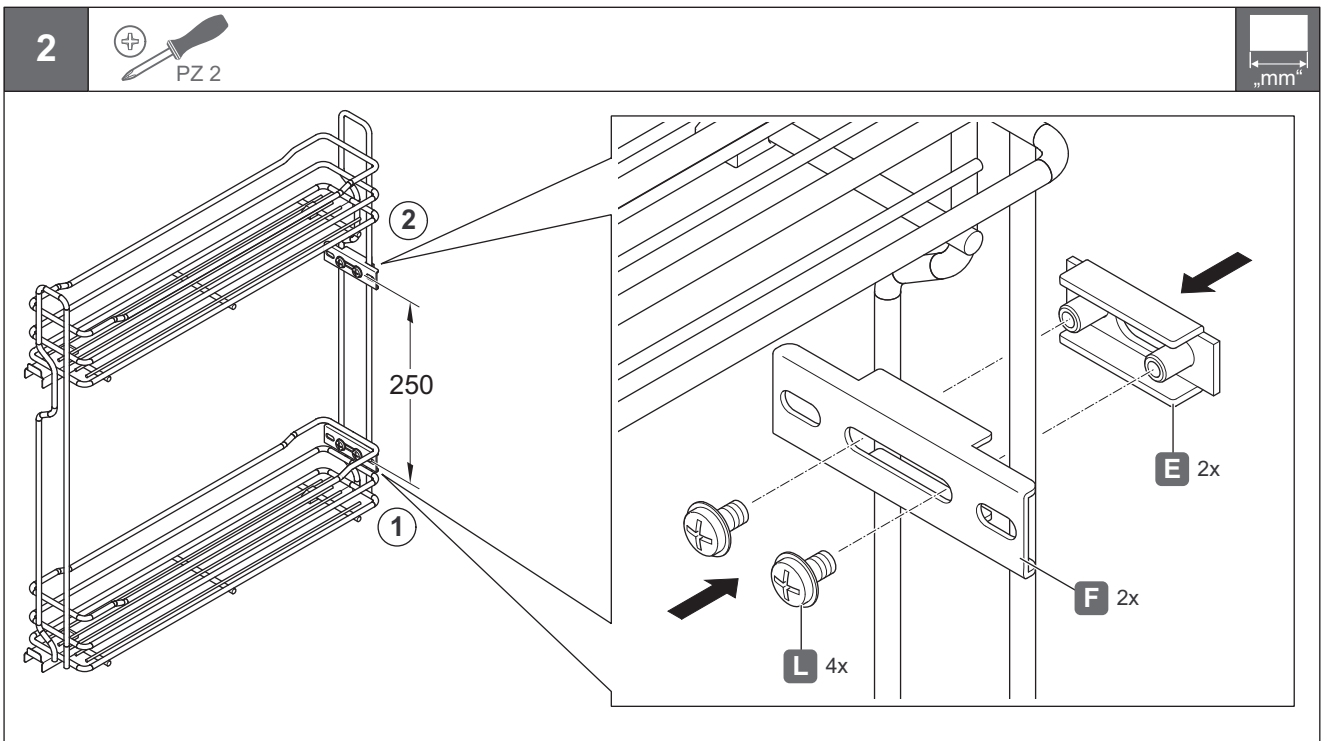
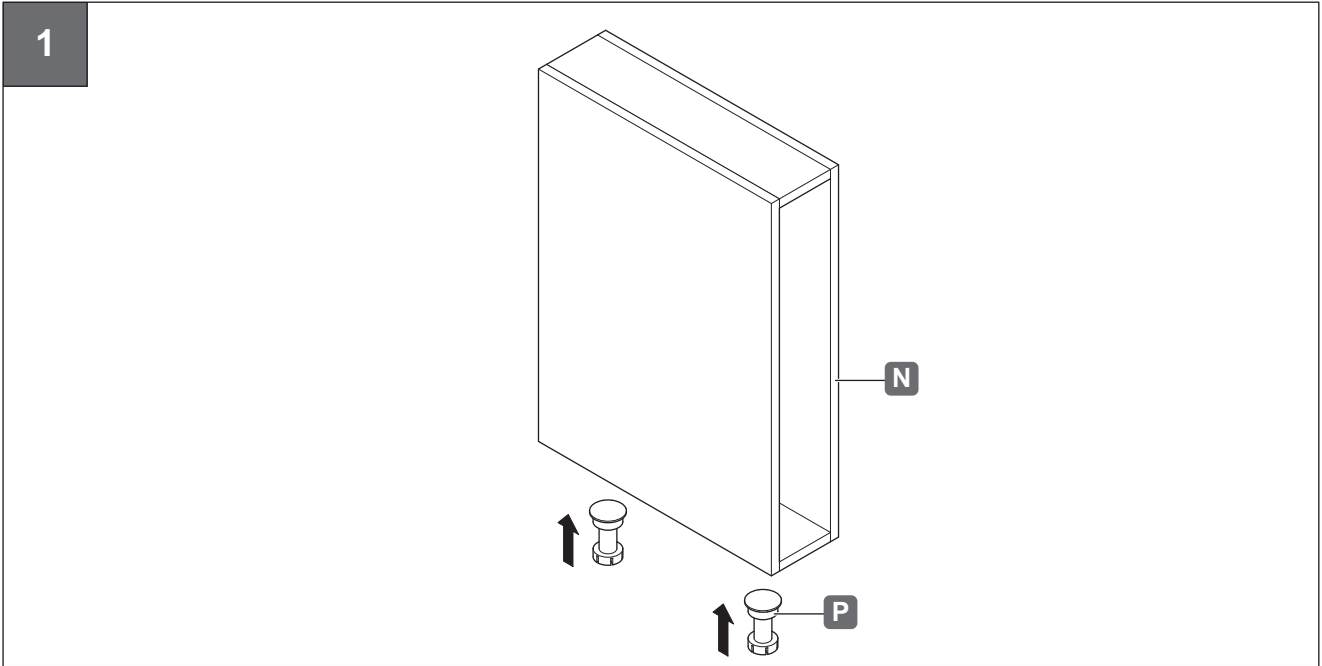
Q	min. 114 mm
R	min. 515 mm
S	min. 600 mm



mm	549.37.200	549.37.700
	X = 96 mm	X = 105 mm
	X = 98 mm	X = 107 mm

732.25.120

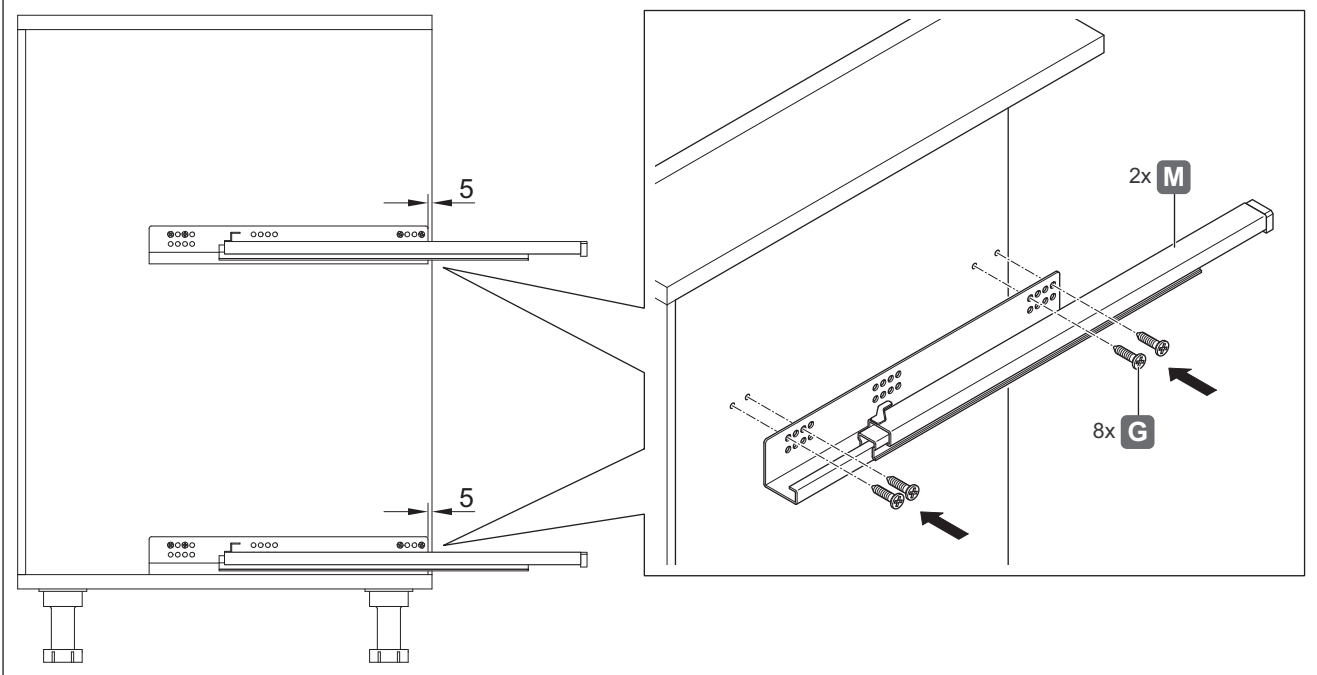
HDE 04.11.2020



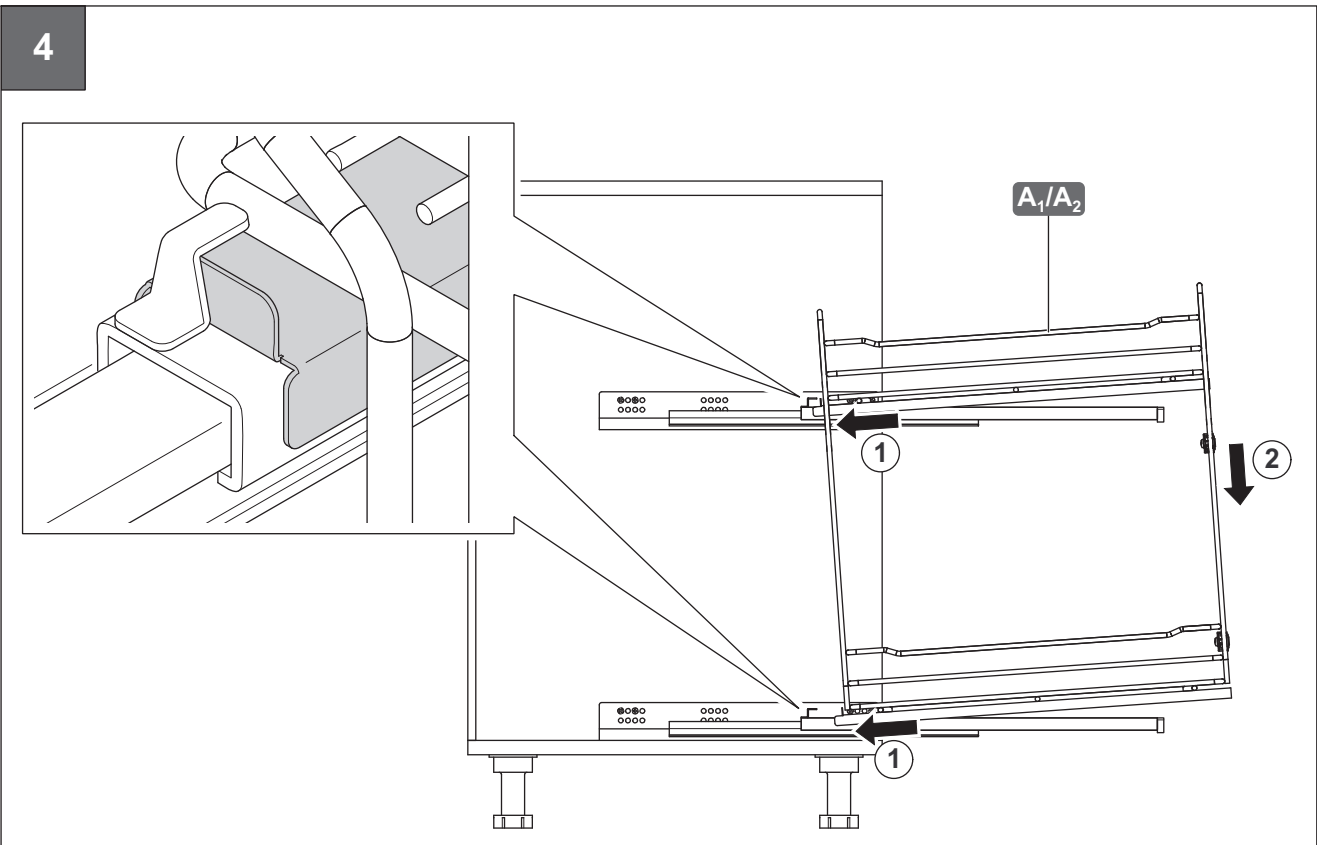
732.25.120

HDE 04.11.2020

3



4



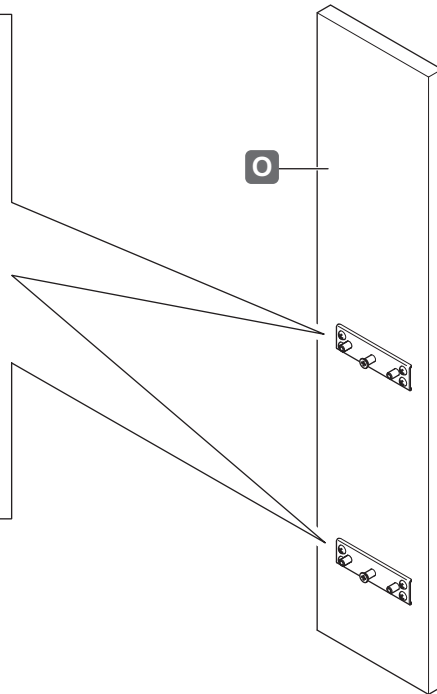
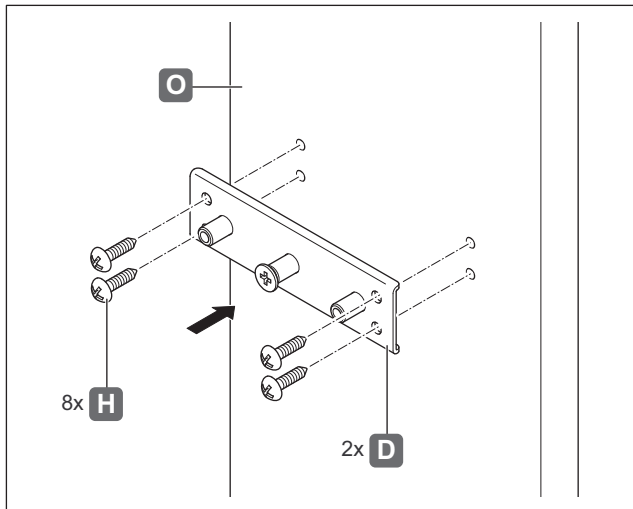
732.25.120

HDE 04.11.2020

5



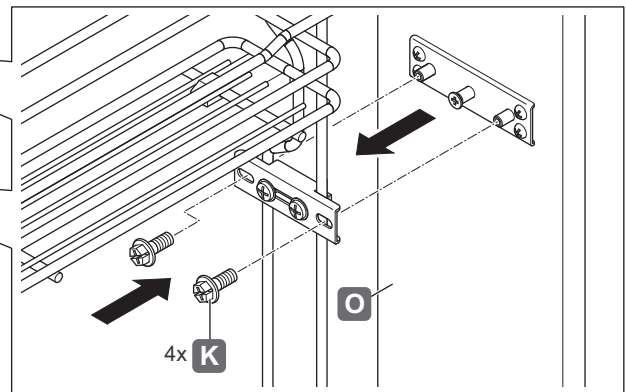
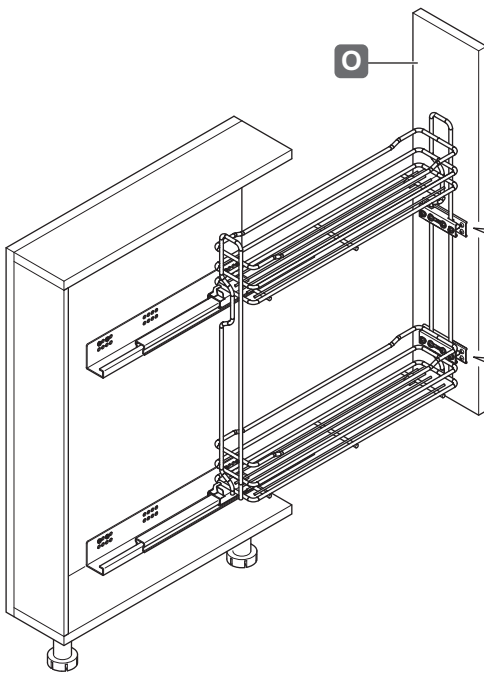
PZ 2



6



PZ 2

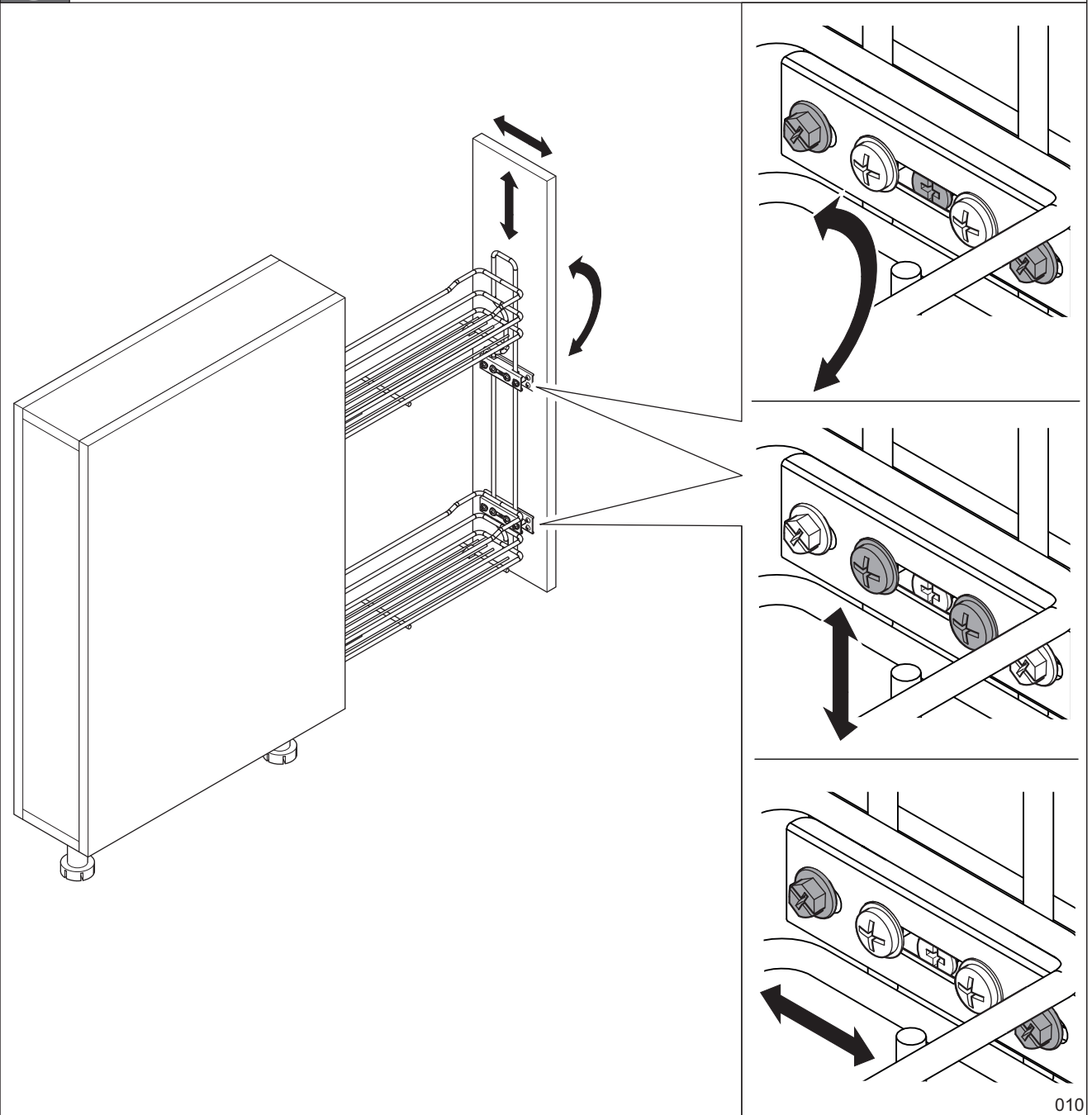


732.25.120

HDE 04.11.2020



PZ 2



732.25.120

010

732.25.120

HDE 04.11.2020

