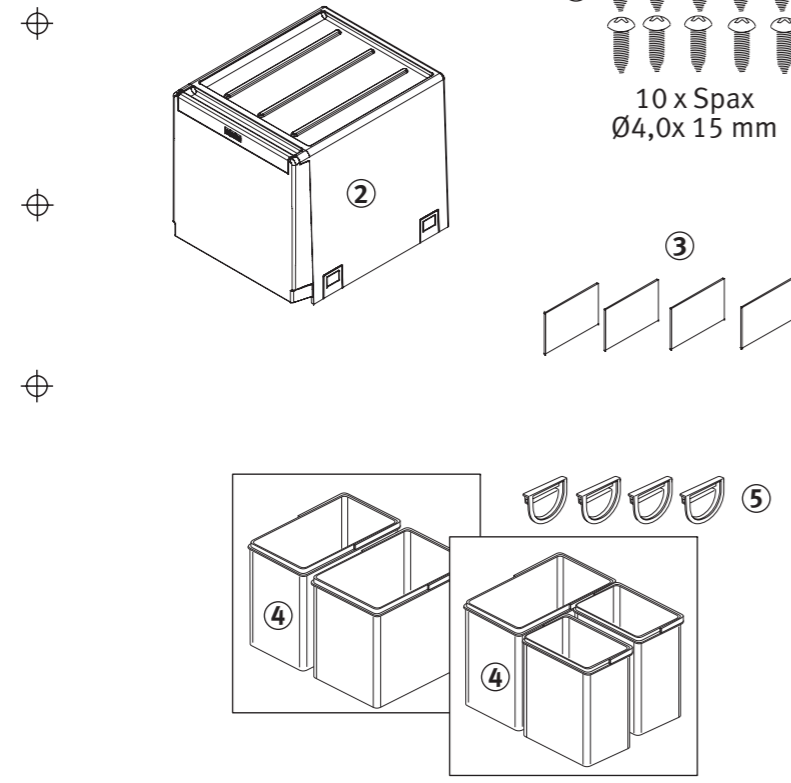
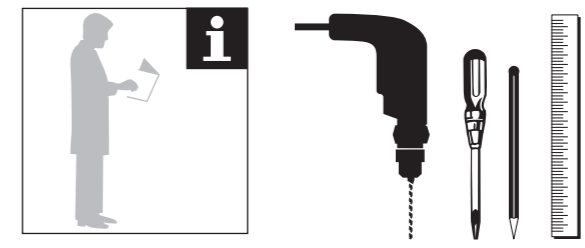
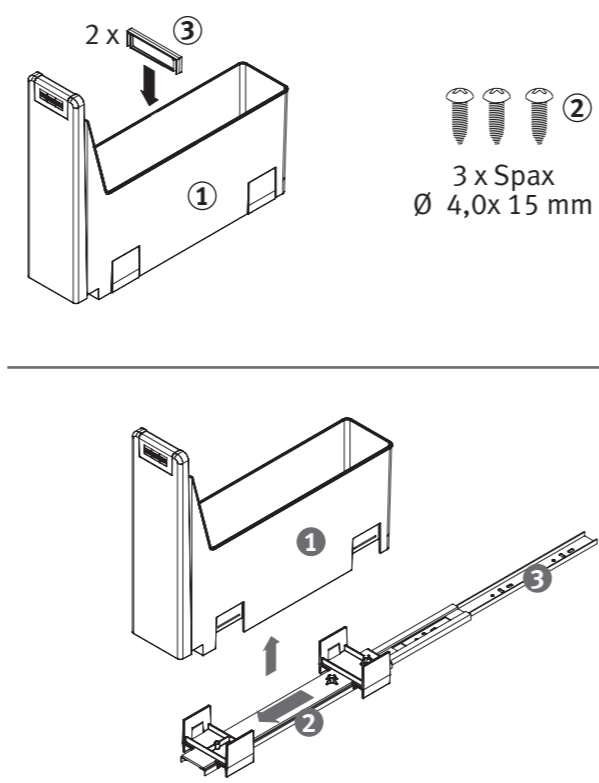


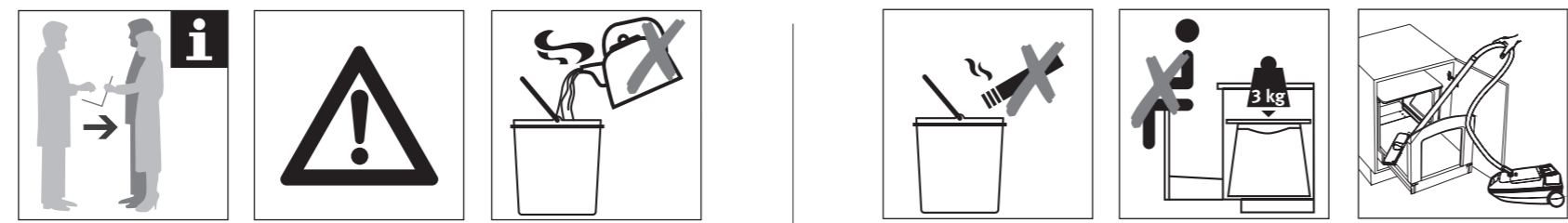
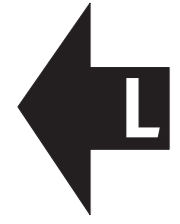
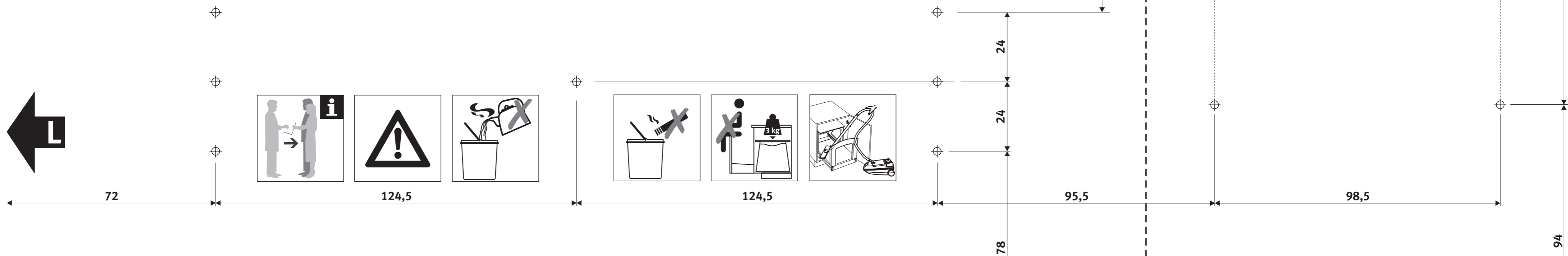
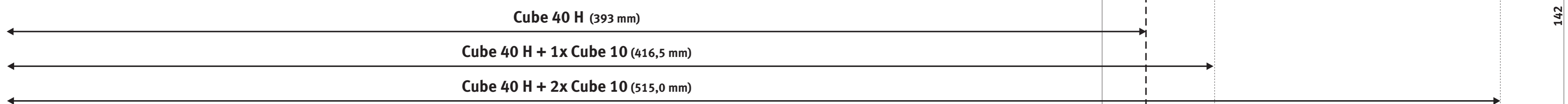
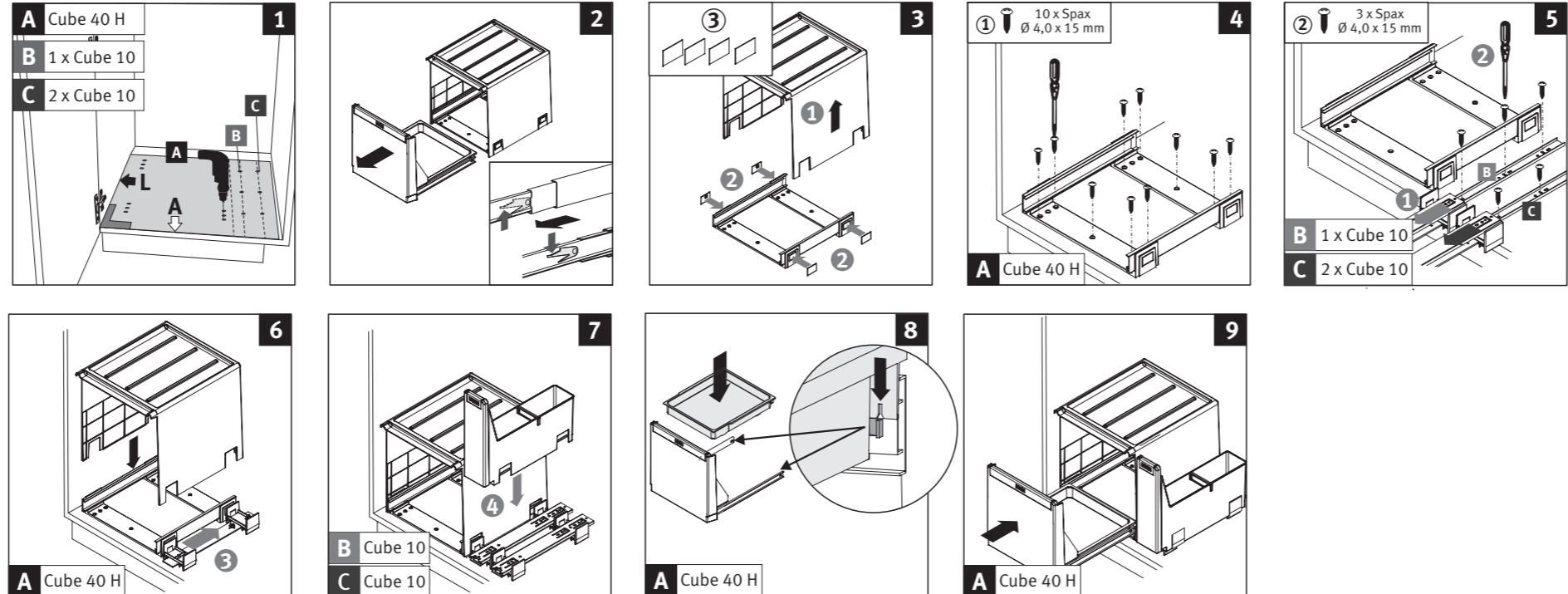
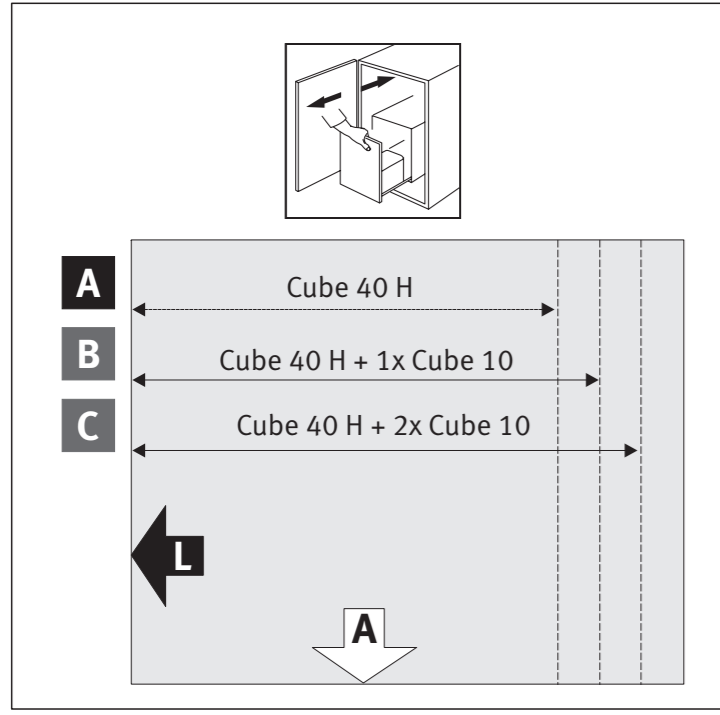
**Cube 40**



**Cube 10**

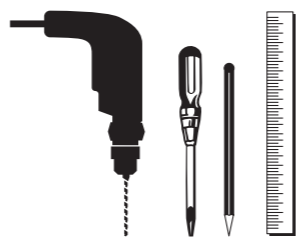
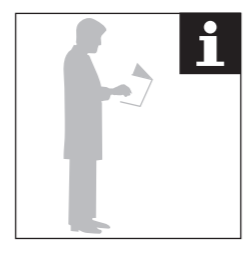
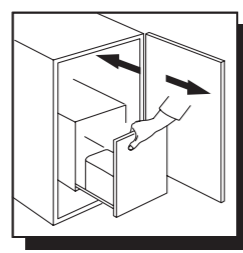


**Cube 40 H**  
**Cube 40 H + 1x Cube 10**  
**Cube 40 H + 2x Cube 10**



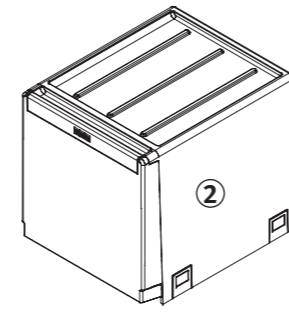
7 612980 022724  
 993.0045.975 / 08.08.2008



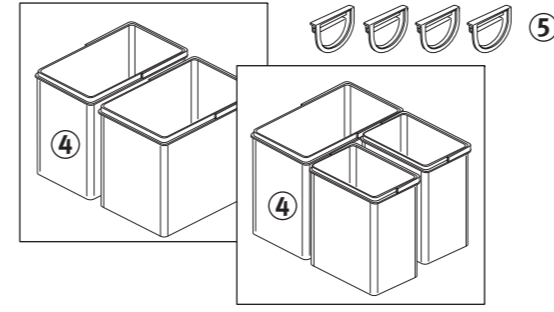
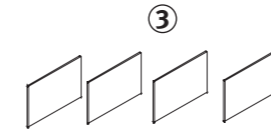


**Cube 40 H**  
**Cube 40 H + 1x Cube 10**  
**Cube 40 H + 2x Cube 10**

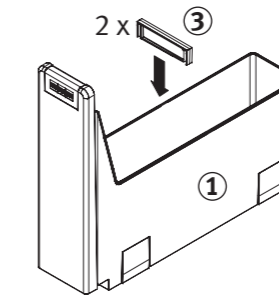
**Cube 40**



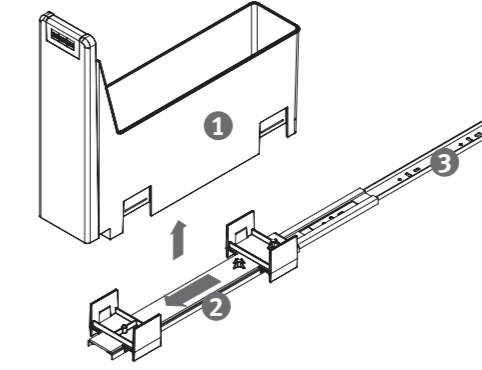
① 10 x Spax  
 Ø4,0x 15 mm



**Cube 10**



② 3 x Spax  
 Ø 4,0x 15 mm

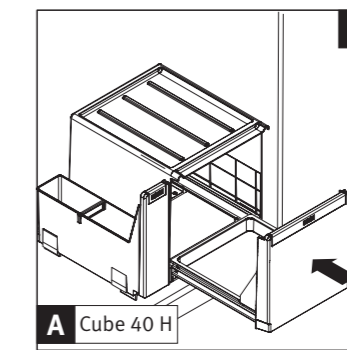
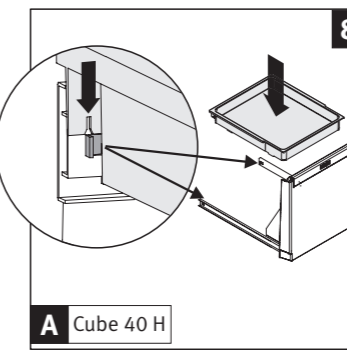
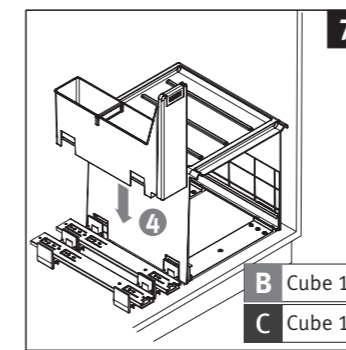
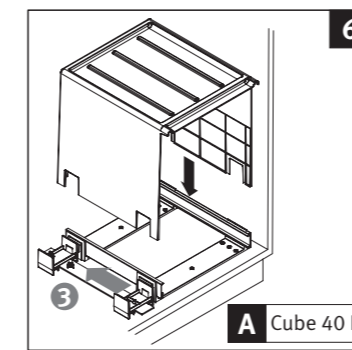
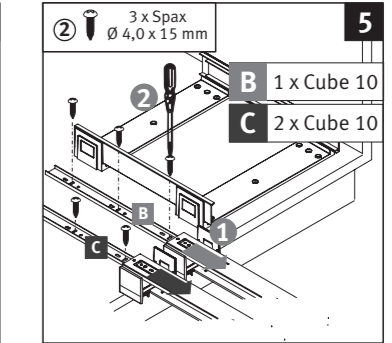
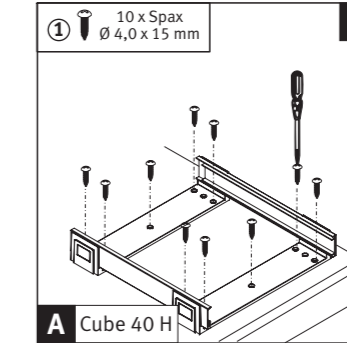
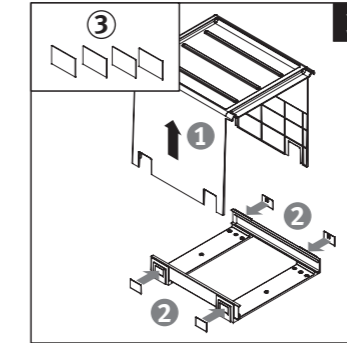
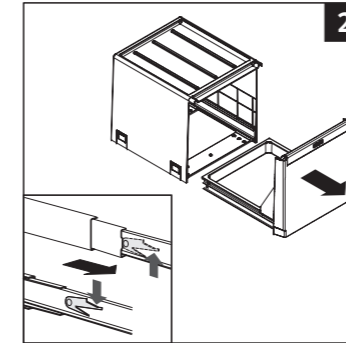
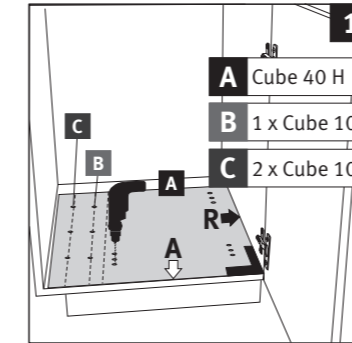
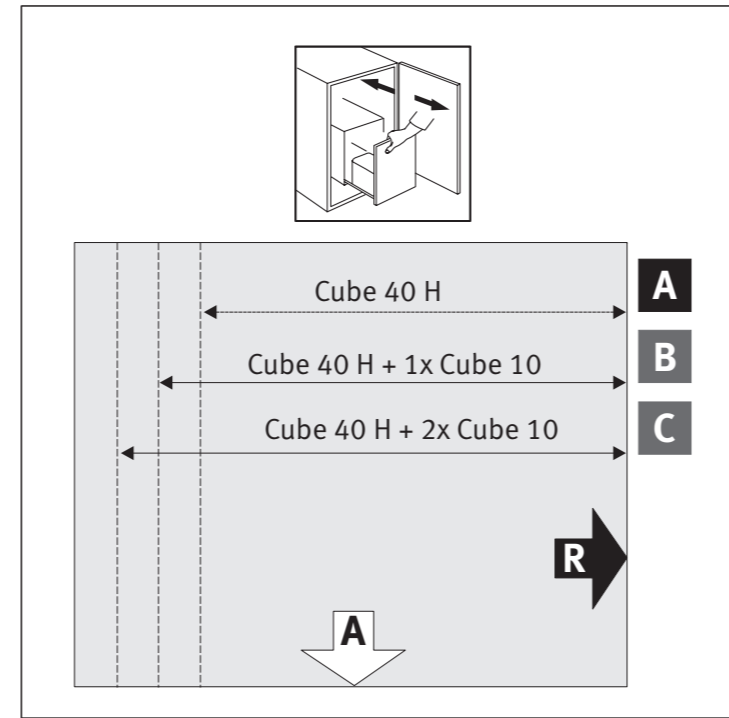


24  
 24

112

142

94



207

**Cube 40 H (393 mm)**

**Cube 40 H + 1x Cube 10 (416,5 mm)**

**Cube 40 H + 2x Cube 10 (515,0 mm)**

98,5

95,5

124,5

124,5

72

24

24

78

