

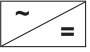
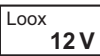




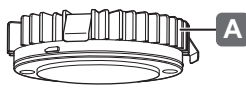
**LED 2025**  
**LED 2026**

<b>833.72.120</b>	<b>833.72.126</b>
<b>833.72.121</b>	<b>833.72.127</b>
<b>833.72.122</b>	<b>833.72.130</b>
<b>833.72.124</b>	<b>833.72.131</b>
<b>833.72.125</b>	<b>833.72.132</b>

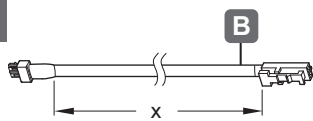
	<b>K</b>	<b>W</b>	<b>T<sub>A</sub></b>			
833.72.120	3000 K	3.8 W	-20 °C – +35 °C -4 °F – +95 °F	Ø 61.2 x 15.6	Ø 71.2 x 25.6	
833.72.121	4000 K					
833.72.122	5000 K					
833.72.130	3000 K	3.0 W				
833.72.131	4000 K					
833.72.132	5000 K					



732.28.384



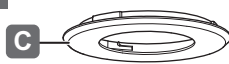
**+**



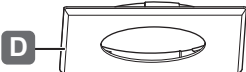
x	
500	833.72.128
1000	833.72.129
2000	833.72.123

**+**

833.72.126




833.72.127

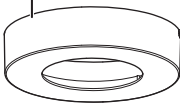


---

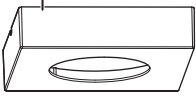
2x **E**




**F** 833.72.124




**G** 833.72.125

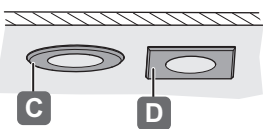
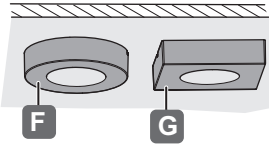


**i**

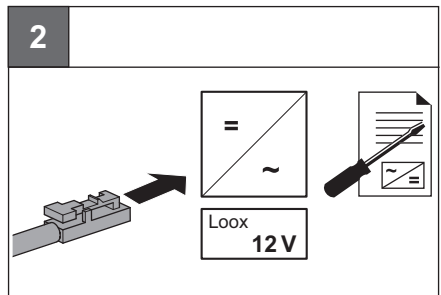
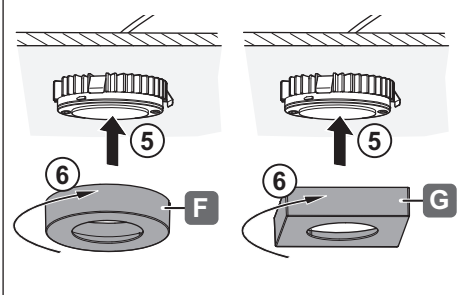
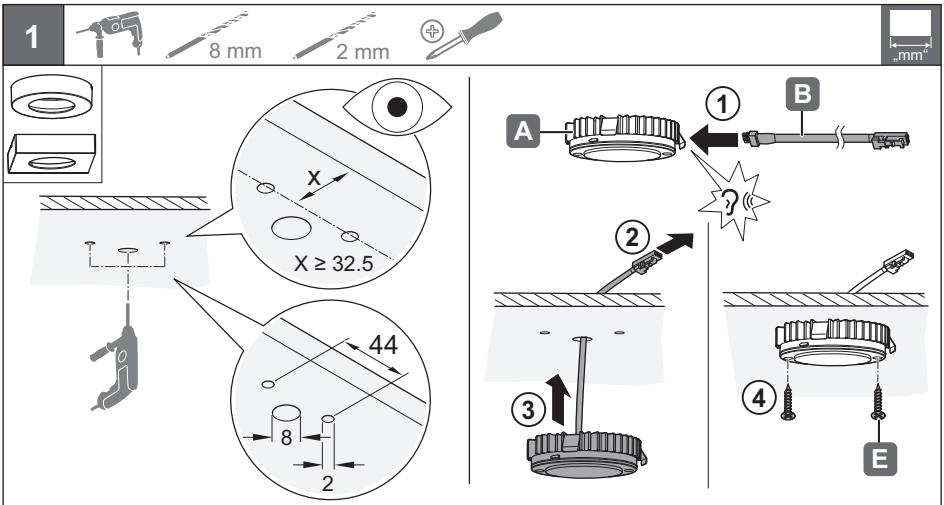
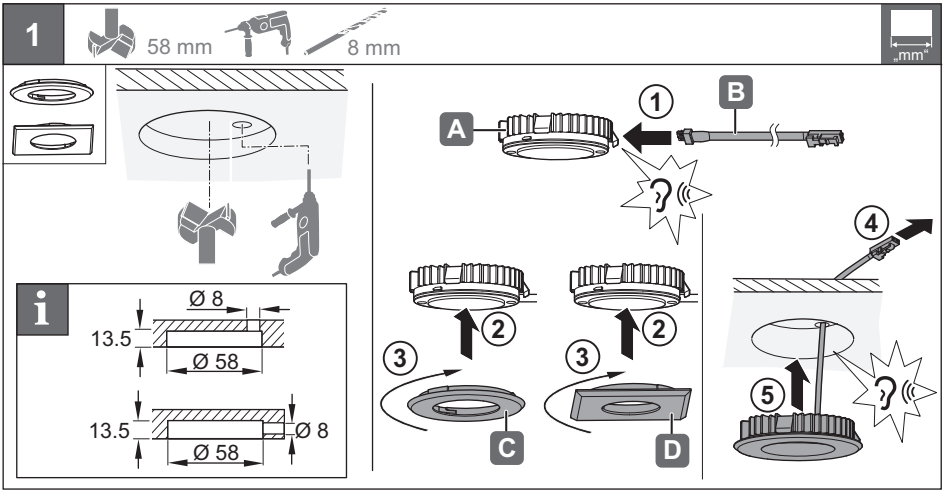




100 - 240 V~

HDE 31.03.2022



732.26.384

HDE 31.03.2022